

Part No. 060435-10, Rev. T
March 2023

OmniSwitch 6865 Hardware Users Guide

Alcatel·Lucent 
Enterprise

www.al-enterprise.com

This user guide documents OmniSwitch 6865 hardware, including chassis and associated components. The specifications described in this guide are subject to change without notice.

The Alcatel-Lucent name and logo are trademarks of Nokia used under license by ALE. To view other trademarks used by affiliated companies of ALE Holding, visit: www.al-enterprise.com/en/legal/trademarks-copyright. All other trademarks are the property of their respective owners. The information presented is subject to change without notice. Neither ALE Holding nor any of its affiliates assumes any responsibility for inaccuracies contained herein. © Copyright 2023 ALE International, ALE USA Inc. All rights reserved in all countries.



26801 West Agoura Road
Calabasas, CA 91301
(818) 880-3500 FAX (818) 880-3505

Service & Support Contact Information

North America: 800-995-2696

Latin America: 877-919-9526

EMEA: +800 00200100 (Toll Free) or +1(650)385-2193

Asia Pacific: +65 6240 8484

Web: myportal.al-enterprise.com

Email: ale.welcomecenter@al-enterprise.com

Contents

	About This Guide	v
Chapter 1	Getting Started and Installation	1-1
	Getting Started	1-1
	Preparing for the Installation	1-1
	Providing Air Flow and Minimum Recommended Clearances	1-3
	Items Included	1-4
	Preparing the Chassis and Power Supply Tray Assembly	1-4
	Side Mount Power Supply Tray	1-4
	Rear Mount Power Supply Tray	1-5
	Attaching Rack Mount Flanges	1-7
	Attaching Table Mount Feet	1-7
	Installing Power Supplies	1-8
	Installing Power Supplies for Side Mount Trays	1-9
	Installing Power Supplies for Rear Mount Trays	1-10
	Mounting the OmniSwitch 6865	1-12
	Rack Mounting	1-12
	Table Mounting	1-15
	DIN Rail Mounting - Power Supply	1-16
	DIN Rail Mounting - Chassis	1-17
	DNV Mounting Steps	1-19
	Additional DIN / Wall Mounting Examples	1-25
	Connections and Cabling	1-28
	System and Port LEDs	1-29
	The First Login Session	1-30
	Unlocking Session Types	1-31
	Changing the Login Password	1-31
	Setting the System Time Zone	1-32
	Setting the Date and Time	1-32
	Setting Optional Parameters	1-32
Chapter 2	Chassis and Power	2-1
	OmniSwitch 6865-P16X	2-1
	Chassis Front Panel	2-3
	Chassis Rear Panel	2-4
	OmniSwitch 6865-U12X	2-4
	Chassis Front Panel	2-5
	Chassis Rear Panel	2-6
	OmniSwitch 6865-U28X	2-6
	Chassis Front Panel	2-7

Chassis Rear Panel	2-8
Power Supplies	2-8
OS6865-BP - 180W AC Power Supply	2-8
OS6865-BP-D - 180W/140W DC Power Supply	2-9
DC Power Supply Connection	2-10
Connecting a DC Cable Harness to the Chassis Power Supply	2-10
Connecting a DC Cable Harness to the DC Power Source	2-10
Connecting a DC Power Source	2-11
Dying Gasp	2-12
Scenarios	2-13
SNMP Trap	2-13
Syslog Message	2-13
Link OAM PDU	2-13
Chapter 3 Power Over Ethernet (PoE)	3-1
Managing Power over Ethernet (PoE)	3-1
Power over Ethernet Budget	3-1
Determining the Power Available for Powered Devices (PDs)	3-2
PoE Operational Status	3-3
Understanding Priority Disconnect	3-7
Appendix A Regulatory Compliance and Safety Information A-1	
Declaration of Conformity: CE Mark	A-1
Compliance and Certifications	A-1
Safety Standards	A-1
EMI/EMC Standards	A-2
Industrial Compliance Requirements	A-3
China RoHS: Hazardous Substance Table	A-5
Taiwan RoHS: Hazardous Substance Table	A-6
California Proposition 65 Warning	A-6
Waste Electrical and Electronic Equipment (WEEE) Statement	A-7
FCC Class A, Part 15	A-7
JATE	A-8
CISPR22 Class A Warning	A-8
Korea Emissions Statement	A-8
VCCI	A-8
Class A Warning for Taiwan and Other Chinese Markets	A-8
Translated Safety Warnings	A-9
Instrucciones de seguridad en español	A-13

About This Guide

This *OmniSwitch 6865 Hardware Users Guide* describes OmniSwitch 6560 switch components and basic switch hardware procedures.

Supported Platforms

The information in this guide applies only to OmniSwitch 6865 switches.

Who Should Read this Manual?

The audience for this users guide is network administrators and IT support personnel who need to configure, maintain, and monitor switches and routers in a live network. However, anyone wishing to gain knowledge of the hardware will benefit from the material in this guide.

When Should I Read this Manual?

Read this guide as soon as you are ready to familiarize yourself with your switch hardware components.

You should already be familiar with the very basics of the switch hardware, such as module LEDs and component installation procedures. This manual will help you understand your switch hardware in greater depth.

What is in this Manual?

This users guide includes the following hardware-related information:

- Descriptions of “Availability” features.
- Technical specifications for the chassis, power supplies and modules.
- Power supply requirements.
- The dynamics of chassis airflow, including detailed illustrations of proper and improper airflow configurations.
- Hot-swapping power supplies and modules.
- Installation and removal procedures for power supplies and modules.
- Detailed illustrations and LED descriptions for chassis, network and power supply operability.

-
- Hardware-related Command Line Interface (CLI) commands.

What is Not in this Manual?

The descriptive and procedural information in this manual focuses on switch hardware. It includes information on some CLI commands that pertain directly to hardware configuration, but it is not intended as a software users guide. There are several OmniSwitch users guides that focus on switch software configuration. Consult those guides for detailed information and examples for configuring your switch software to operate in a live network environment. See [“Documentation Roadmap” on page -vii](#) and [“Related Documentation” on page -ix](#) for further information on software configuration guides available for your switch.

How is the Information Organized?

Each chapter in this guide focuses on a specific hardware component or a set of hardware components. All descriptive, technical specification, and procedural information for a hardware component can be found in the chapter dedicated to that component.

Documentation Roadmap

The OmniSwitch user documentation suite was designed to supply you with information at several critical junctures of the configuration process. The following section outlines a roadmap of the manuals that will help you at each stage of the configuration process. Under each stage, we point you to the manual or manuals that will be most helpful to you.

Stage 1: Using the Switch for the First Time

Pertinent Documentation: *Getting Started Information*
OmniSwitch Release Notes

A “Getting Started” chapter is included in the *OmniSwitch 6560 Hardware Users Guide*. This chapter provides all the information you need to get your switch up and running the first time. It also includes succinct overview information on fundamental aspects of the switch.

At this time you should also familiarize yourself with the Release Notes that accompanied your switch. This document includes important information on feature limitations that are not included in other user guides.

Stage 2: Gaining Familiarity with Basic Switch Functions

Pertinent Documentation: *Hardware Users Guide*
OmniSwitch Switch Management Guide

Once you have your switch up and running, you will want to begin investigating basic aspects of its hardware and software. Information about switch hardware is provided in the *OmniSwitch 6560 Hardware Guide*. This guide provides specifications, illustrations, and descriptions of all hardware components. It also includes steps for common procedures, such as removing and installing switch components.

This guide is the primary users guide for the basic software features on a single switch. This guide contains information on the switch directory structure, basic file and directory utilities, switch access

security, SNMP, and web-based management. It is recommended that you read this guide before connecting your switch to the network.

Stage 3: Integrating the Switch Into a Network

Pertinent Documentation: *OmniSwitch Network Configuration Guide*

When you are ready to connect your switch to the network, you will need to learn how the OmniSwitch implements fundamental software features, such as 802.1Q, VLANs, Spanning Tree, and network routing protocols. The *Network Configuration Guide* guide contains overview information, procedures, and examples on how standard networking technologies are configured on the OmniSwitch.

Anytime

The *OmniSwitch CLI Reference Guide* contains comprehensive information on all CLI commands supported by the switch. This guide includes syntax, default, usage, example, related CLI command, and CLI-to-MIB variable mapping information for all CLI commands supported by the switch. This guide can be consulted anytime during the configuration process to find detailed and specific information on each CLI command.

Related Documentation

The following are the titles and descriptions of all the OmniSwitch user guides:

- *Hardware Users Guide*

Complete technical specifications and procedures for all OmniSwitch chassis, power supplies, fans, and Network Interface (NI) modules.

- *OmniSwitch CLI Reference Guide*

Complete reference to all CLI commands supported on the OmniSwitch. Includes syntax definitions, default values, examples, usage guidelines and CLI-to-MIB variable mappings.

- *OmniSwitch Switch Management Guide*

Includes procedures for readying an individual switch for integration into a network. Topics include the software directory architecture, image rollback protections, authenticated switch access, managing switch files, system configuration, using SNMP, and using web management software (WebView).

- *OmniSwitch Network Configuration Guide*

Includes network configuration procedures and descriptive information on all the major software features and protocols included in the base software package. Chapters cover Layer 2 information (Ethernet and VLAN configuration), Layer 3 information (routing protocols, such as RIP and IPX), security options (authenticated VLANs), Quality of Service (QoS), link aggregation, and server load balancing.

- Technical Tips, Field Notices

Includes information published by Alcatel-Lucent's Customer Support group.

- *Release Notes*

Includes critical Open Problem Reports, feature exceptions, and other important information on the features supported in the current release and any limitations to their support.

Technical Support

A service agreement brings your company the assurance of 7x24 no-excuses technical support. You'll also receive regular software updates to maintain and maximize your product's features and functionality and on-site hardware replacement through our global network of highly qualified service delivery partners.

With 24-hour access to the Service and Support web page, you'll be able to view and update any case (open or closed) that you have reported to technical support, open a new case or access helpful release notes, technical bulletins, and manuals.

Access additional information can be found below:

Web: myportal.al-enterprise.com

Phone: 1-800-995-2696

Email: ale.welcomcenter@al-enterprise.com

1 Getting Started and Installation

Getting Started

Preparing for the Installation

Alcatel-Lucent Enterprise products must be installed by a professional installer. It is the responsibility of the installer to comply with product specifications and all applicable local and national codes.

When preparing for installation, unpack the product as close as possible to the location where it will be installed.



Caution: An operating Omniswitch may be hot to the touch.

Elevated Operating Ambient Temperature

If installed in a closed or multi-rack assembly, the operating ambient temperature of the rack environment may be greater than the room's ambient temperature. Therefore, consideration should be given to the maximum rated ambient temperature (T_{mra}). When operating at 74°C ambient temperature the switch must be installed in a suitable closed rack or cabinet enclosure.

Reduced Air Flow

Installation of the equipment should be such that the amount of air flow required for safe operation of the equipment is not compromised. Refer to [“Providing Air Flow and Minimum Recommended Clearances” on page 1-3](#) for more information.

Mechanical Loading

Mounting of the equipment in the rack should be such that a hazardous condition is not achieved due to uneven loading.

Circuit Overloading

Consideration should be given to the connection of the equipment to the supply circuit and the effect that overloading of circuits could have on overcurrent protection and supply wiring. Appropriate consideration of equipment nameplate ratings should be used when addressing this concern.

Reliable Earthing

Reliable earthing of rack mounted equipment should be maintained. Particular attention should be given to supply connections other than direct connections to the branch (e.g., use of power strips).

Additional Electrical Requirements

The switches have the following general electrical requirements:

- AC and DC power supply support
- Each supplied AC power cord is 2 meters (approx. 6.5 feet). Do not use extension cords.
- Each switch requires one grounded electrical outlet per power supply.

Redundant AC Power. It is recommended that each power supply resides on a separate circuit. With redundant power, if a single circuit fails, the switch's remaining power supply (on separate circuits) can remain operational.

Electrical Surge Warning

In order to help protect equipment against electrical surges please take note of the following recommendations and guidelines:

1. Earth grounding of all devices is fundamental to ensure long term reliability.
 - All electrical equipment must be installed by a qualified, licensed electrician.
 - Every power supply that is connected to building power should be earth grounded.
 - Earth grounding for the power cable, should be verified to be 0.01 ohm or less.
 - Each switch should be grounded to same earth ground as the power supply.
 - Each powered device, such as an AP or camera, should be connected to earth ground.
 - Each surge suppression device should be connected to earth ground.
2. Shielded cables (STP) offer some minimal level of additional protection over unshielded Ethernet cables (UTP) but the use of a surge protector is still recommended.
 - It is suggested to use STP Cat5e or better for 1Gbps Ethernet switches for any outdoor application or applications where Ethernet cables come in close proximity to alternating current conductors.
 - Always install cables according to manufacturer requirements.
3. For any connections where integrity of the cabling within a building ground is questionable (i.e outdoor connections), copper Ethernet ports must be connected with an appropriate surge protection device, inline, between the PSE and PD per the manufacturer's recommendations for connection and grounding.

4. Caution should be taken for any cable connected to any outdoor device, not only on the device grounding, but to ensure that any outdoor device cables that could carry surge currents, do not pass those surge currents to upstream Ethernet switches.

Caution - Category 5e, Category 6, and Category 6a cables can store large amounts of static electricity due to the dielectric properties of their construction materials in addition, this build up of electricity could lead to a Cable Discharge Event (CDE). A CDE can occur due to the differential in charges on the cable and the equipment it's being connected to. It is recommended that installers momentarily ground all copper Ethernet cables (especially in new cable runs) to a suitable and safe earth ground before connecting them to the port.

Note: Failure to follow the above recommendations could result in voiding the warranty of the affected ALE product.

Providing Air Flow and Minimum Recommended Clearances

- Switches operating in an environment at or above 65°C require air flow.
- Switches operating in an environment below 65°C do not require airflow.
- When mounting the chassis on a flat service (e.g., table) be sure that the top of the switch, with the larger heat sinks, is facing out and away from the mounting surface.
- Be sure to refer to minimum recommended clearances provided in the table below.

Minimum Recommended Clearances	
Top (Rack mount)	0.875 inches (1/2 RU) for switches operating in an ambient temperature below 65°C; 1.75 inches (1 RU) for switches operating in an ambient temperature at or above 65°C. (See important air flow requirements outlined above.)
Top (Table mount)	0.875 inches; for table mounting, be sure to install the mounting brackets as described in the section, “Preparing the Chassis and Power Supply Tray Assembly.”
Bottom (Rack mount)	No minimum clearance required. However, be sure that the bottom of the chassis is not in direct contact with any equipment below.
Bottom (Table mount)	0.875 inches; for table mounting, be sure to install the mounting brackets as described in the section, “Preparing the Chassis and Power Supply Tray Assembly.”
DNV Installations	0.875 inches (1/2 RU) for OS6865-U12X and OS6865-P16X that require a DNV power supply cover, operating between -40°C to 55°C (-40°F to 131°F). 1.75 inches (1 RU) for OS6865-U28X that requires a DNV power supply cover, operating between -40°C to 55°C (-40°F to 131°F).
Sides	2 inches

Minimum Recommended Clearances

Rear	6 inches
Front	6 inches

Items Included

Depending on your order the following items may be included:

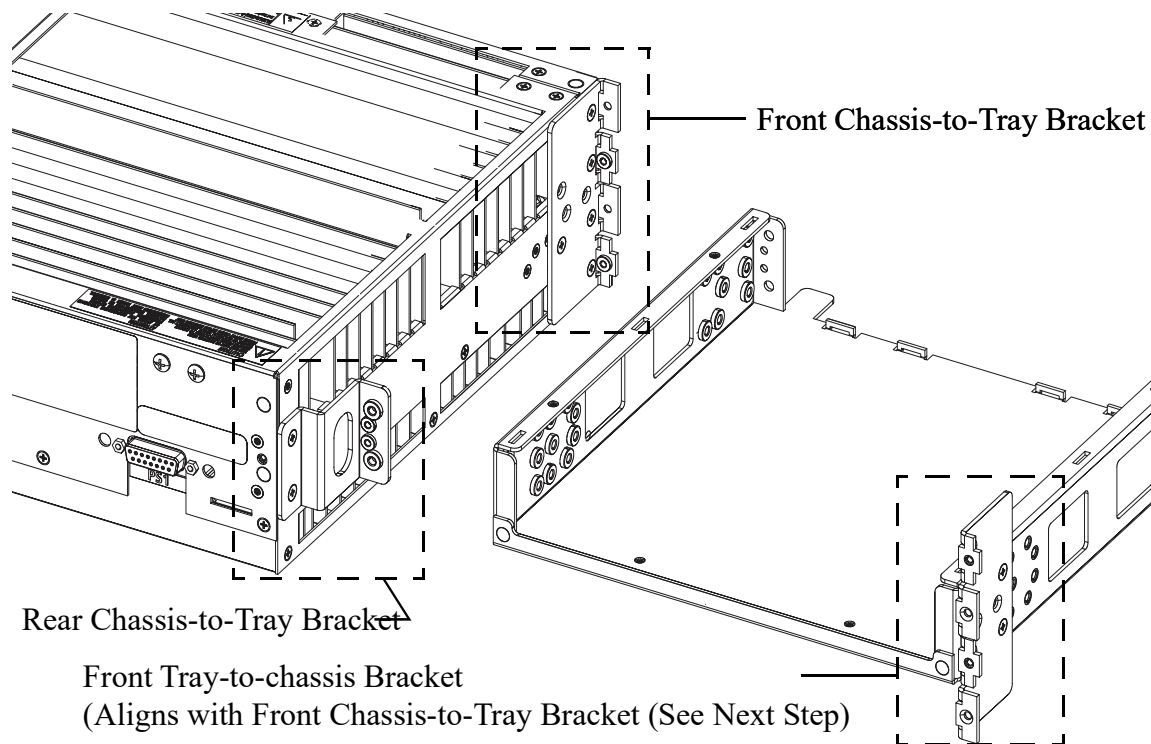
- OmniSwitch chassis with power supplies and modules
- Country specific power cord(s)
- Cover Panels
- Rack Mount Brackets
- Product Documentation and Training Cards
- DB9-RJ45 Connector

Preparing the Chassis and Power Supply Tray Assembly

The power supply tray may be mounted at the side or the rear of the chassis. Side mounted tray assemblies are typically used for rack mount applications; rear mounted tray assemblies are typically used for table mount applications.

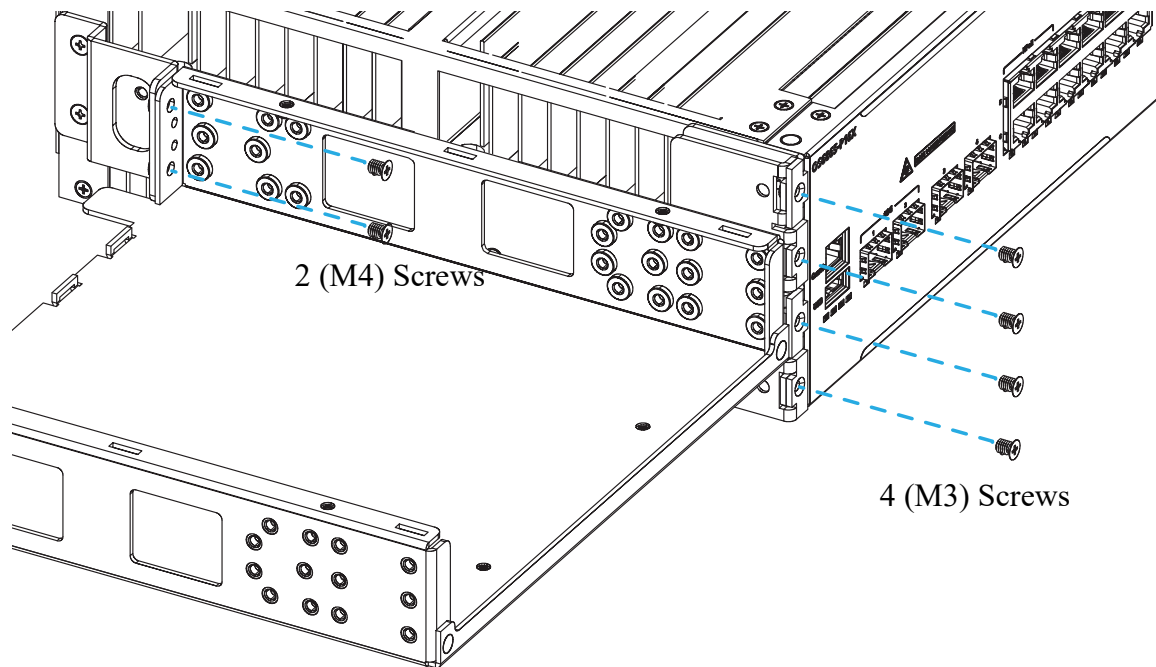
Side Mount Power Supply Tray

1. To mount the power supply tray to the side of the chassis, be sure that the attachment brackets are installed in the proper positions with the Front Chassis and Front Tray brackets aligned.



Required Brackets for Side Mount Power Supply Tray (Brackets may be factory-installed.)

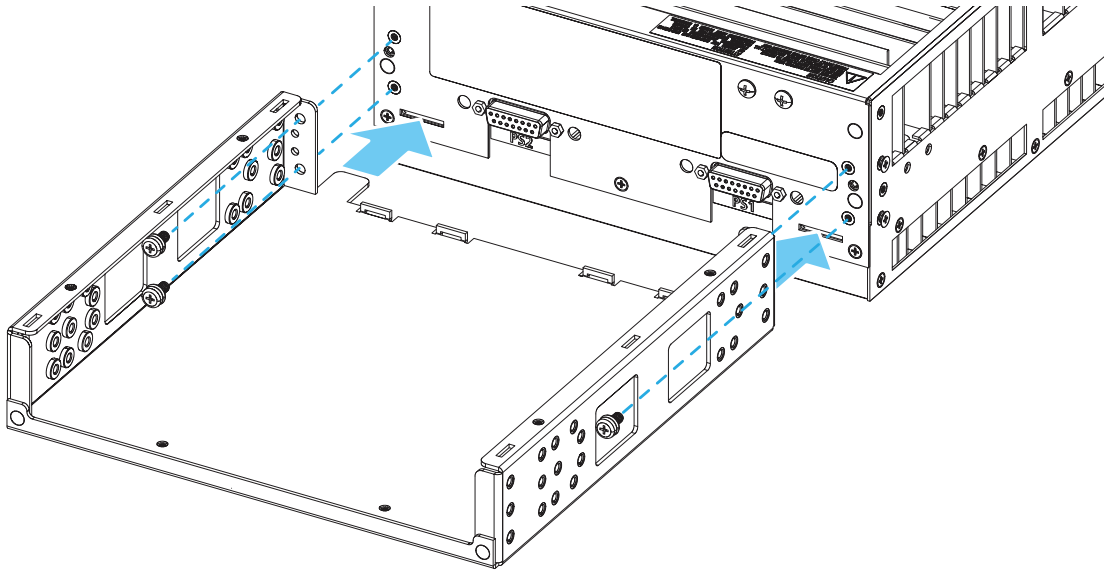
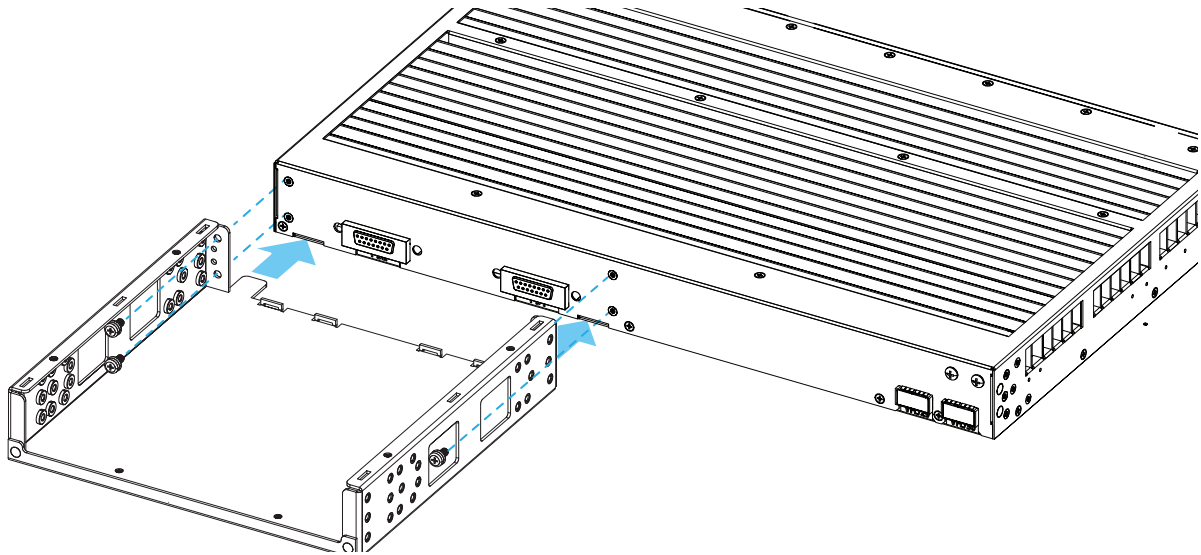
- Align the holes in the power supply tray and fasten the two parts into a single assembly using the attachment screws.



Rear Mount Power Supply Tray

Note: For rear mount power supply assemblies, factory-installed power tray brackets (shown on [page 5](#)) should be removed.

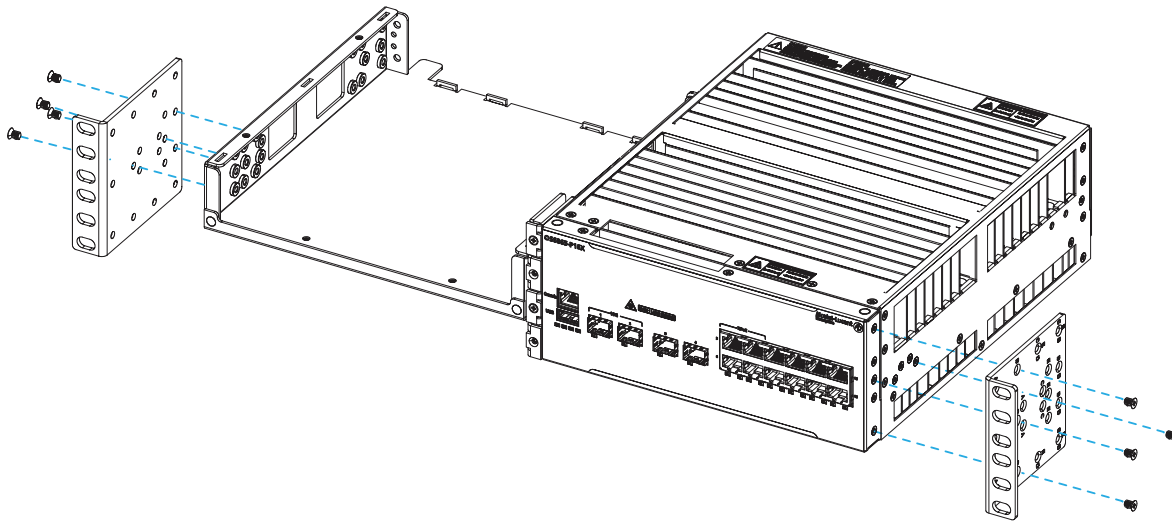
1. To mount the power supply tray to the rear of the chassis, insert the tray tabs into the slots at the rear panel of the chassis. Once the tabs are inserted and the face of the tray is flush against the chassis rear panel, insert and tighten the attachment screws.

**OS6865-U12X / P16X****OS6865-U28X**

Attaching Rack Mount Flanges

Before rack mounting, rack mount flanges must be installed at the left and right sides of the chassis/tray assembly. To attach the flanges, align the holes in with the threaded holes in the side of the chassis and power supply tray. Insert and tighten the attachment screws.

Use four (4) screws
(M4X6mm).



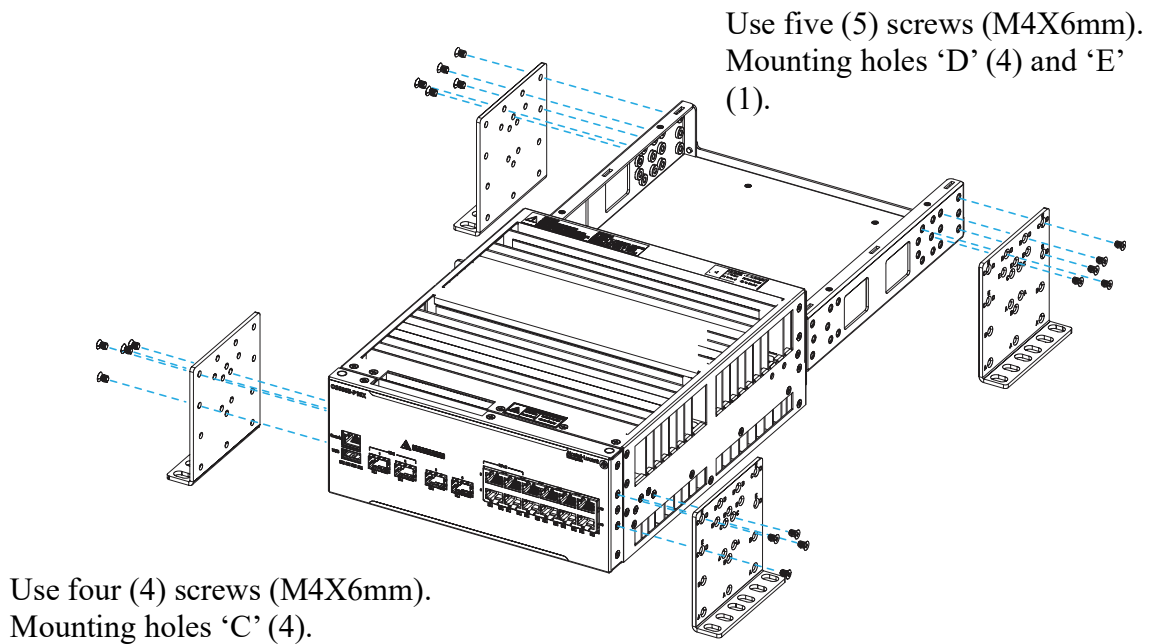
Use four (4) screws (M4X6mm)
and mounting holes 'B'(4).

Attaching Rack Mount Flanges

Attaching Table Mount Feet

1. Before table mounting, table mount feet must be installed at the left and right sides of the chassis/tray assembly. To install the feet, align the holes with the threaded holes in the sides of the chassis and power supply tray, as shown below. Insert and tighten the attachment screws.

Important. Table mount feet provide the 1/2 RU clearance required at the bottom of the chassis. Do not attempt to operate the OS6865-P16X on a tabletop surface without these feet properly installed. See [“Providing Air Flow and Minimum Recommended Clearances”](#) on page 1-3 for more clearance information.



Attaching Table Mount Feet

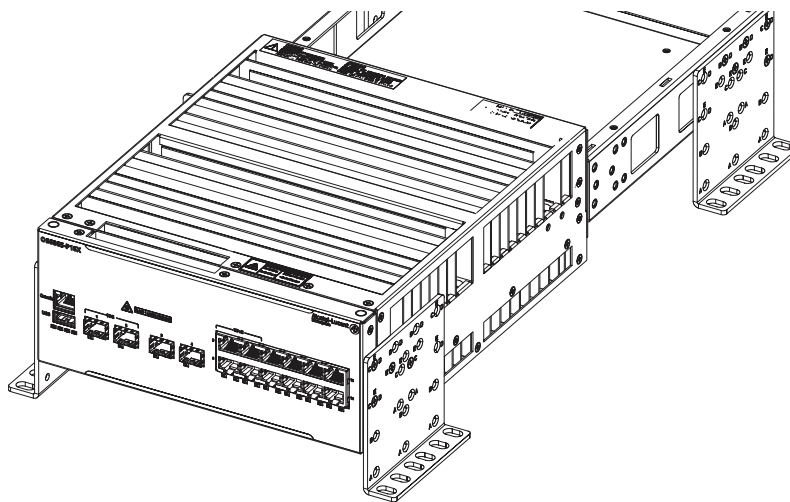


Table Mount Assembly with 1/2 RU Space Under Chassis

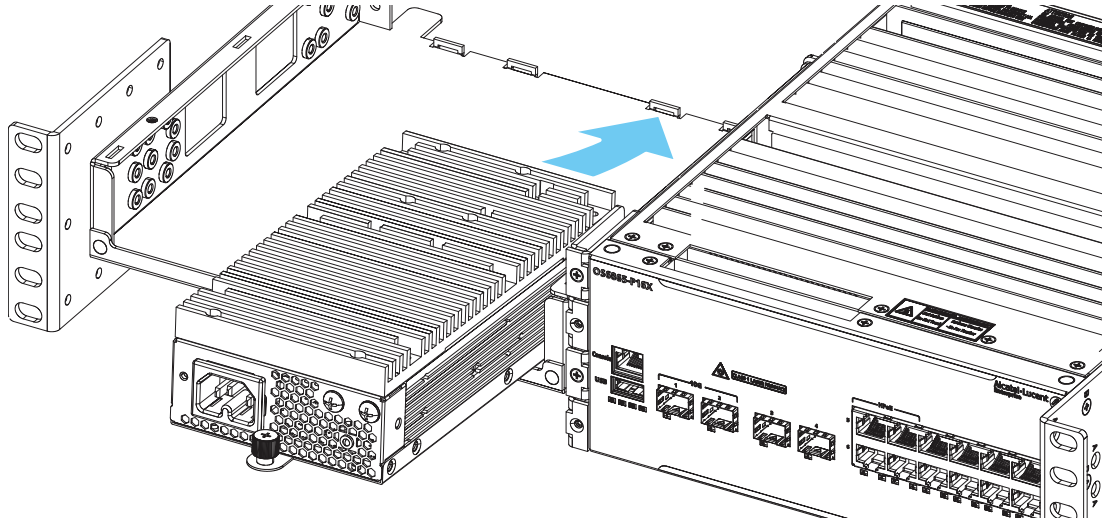
Installing Power Supplies

Once the chassis and tray are assembled and the mounting brackets are attached, install the power supplies.

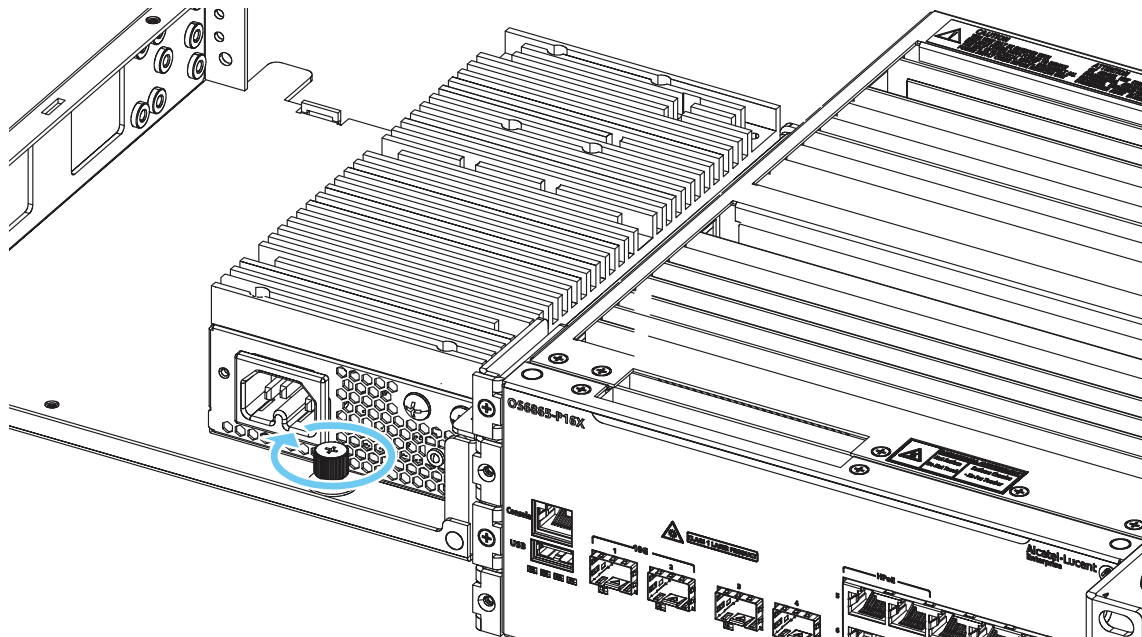
Note. Whenever connecting or disconnecting a power supply to/from a chassis, the power supply must be disconnected from the power source.

Installing Power Supplies for Side Mount Trays

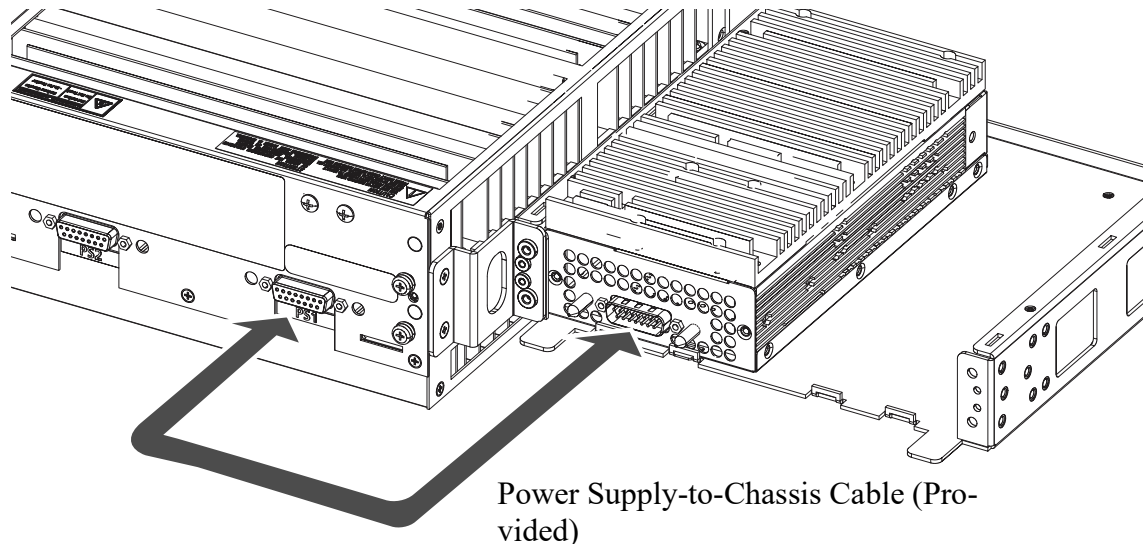
1. Slide the power supply into the tray and insert the tabs located at the bottom-rear of the power supply into the slots at the base of the power supply tray.



2. Align and tighten the thumb screw at the front of the power supply unit.



3. Plug the power supply-to-chassis connector cable (provided) into the DB-15 connectors located at the rear of the power supply and the chassis.

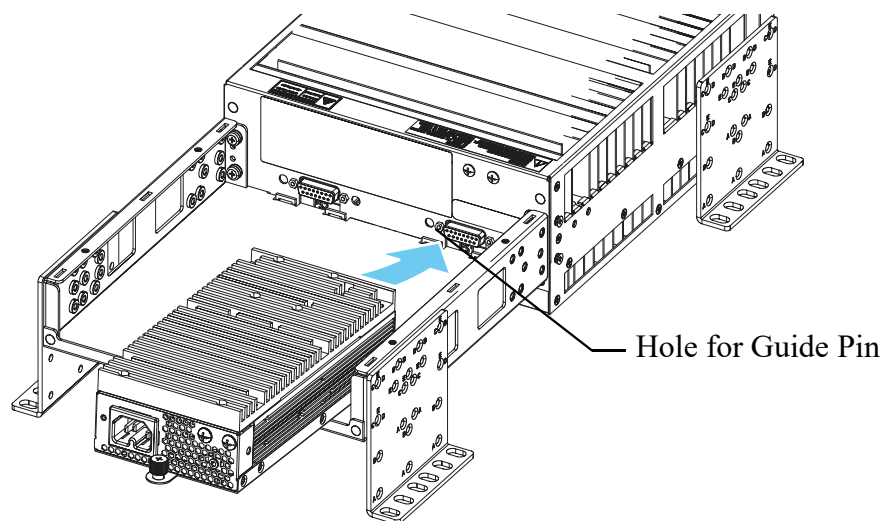


4. For redundant power supply configurations, repeat these steps for the additional power supply at the other side of the power supply tray.

Note. The switch does not provide an on/off switch. Instead, the switch powers on when a power cord is plugged into the power supply's front panel and plugged into a power source. Do not connect to a power source until all power supplies and power supply-to-chassis cables are installed and the switch is ready to boot.

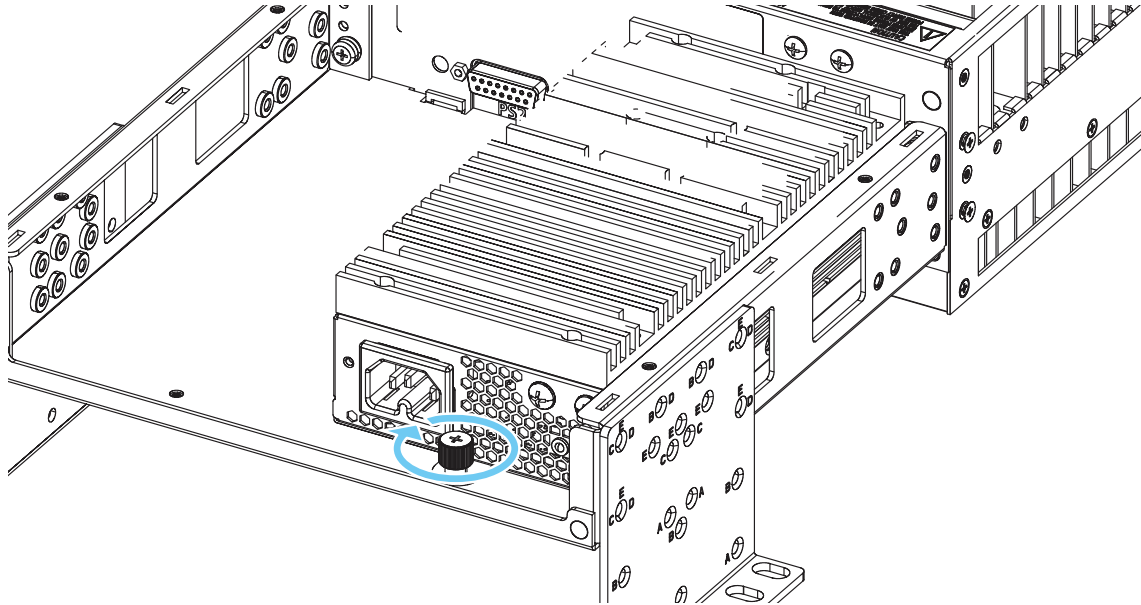
Installing Power Supplies for Rear Mount Trays

1. Orient the power supply as shown below. Insert the guide pins (located on either side of the DB-15 connector) into the guide holes in the rear of the chassis.



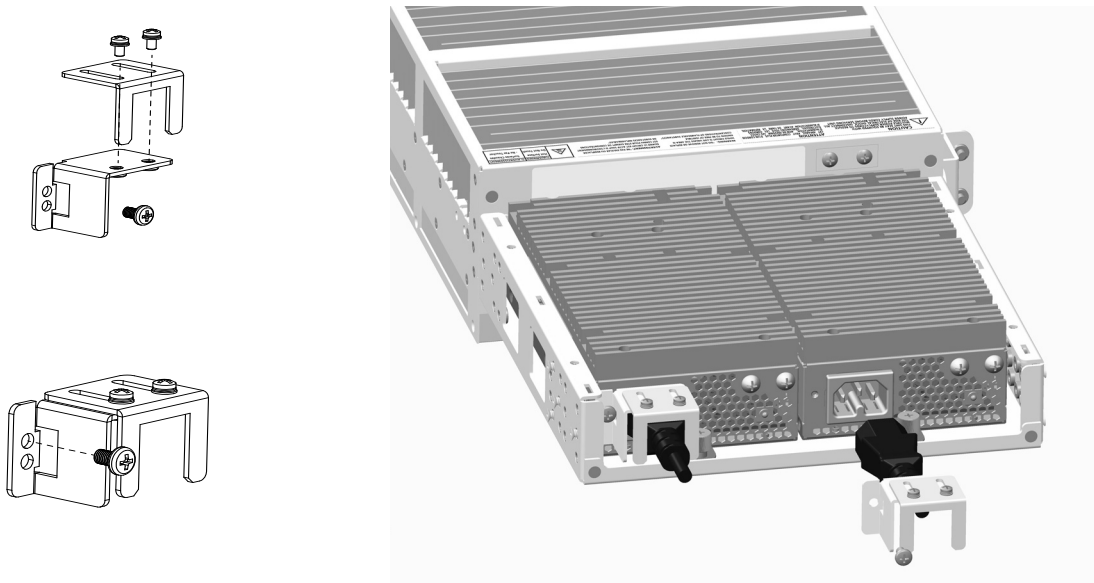
For this example, table mount assembly shown.

2. Push the power supply into place until the connector is fully seated and tighten the thumb screw at the front of the power supply unit.



3. For redundant power supply configurations, repeat these steps using the power supply connector and thumb screw hole located at the other side of the chassis and power supply tray.

Note. The switch does not provide an on/off switch. Instead, the switch powers on when a power cord is plugged into the power supply's front panel and plugged into a power source. Do not connect to a power source until all power supplies and power supply-to-chassis cables are installed and the switch is ready to boot.



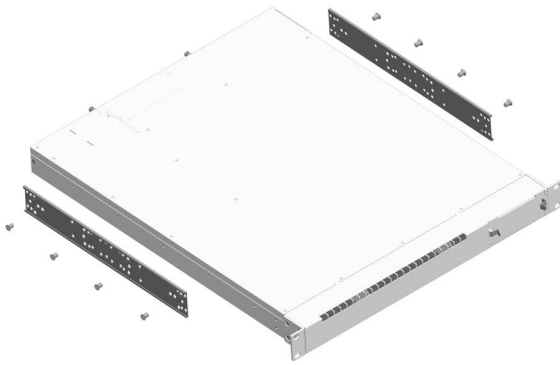
Power Cord and Holder

Mounting the OmniSwitch 6865

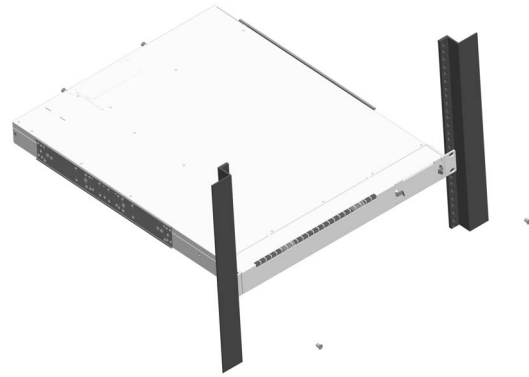
Rack Mounting

General Rack Mounting Recommendations

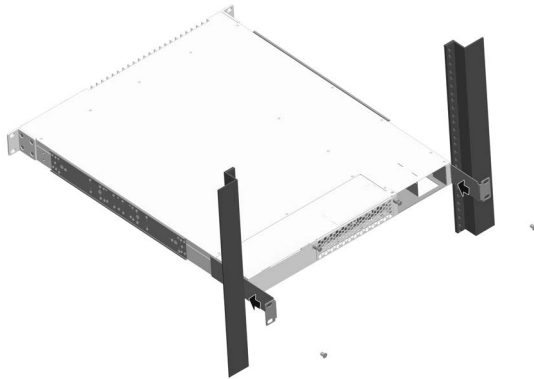
- Install the switch in the rack using the rack manufacturer's recommended attachment screws (not provided). Always follow rack manufacturer's specifications when installing.
- Be sure to accommodate spacing requirements when rack mounting the switch. See [“Providing Air Flow and Minimum Recommended Clearances”](#) on page 1-3 for more information.
- Pre-marking the holes on the rack where the switch is to be installed can be helpful.
- Use an additional person to help lift and position the chassis/power supply assembly in the rack during installation.
- To keep the rack from becoming top heavy, install switches toward the bottom of the rack first.
- Use the OS6865-REAR-MNT mounting kit to help secure the rear of the OS6865-U28X.
- Use the OS6865-TRAY-1U mounting kit to rack-mount two power supply trays side-by-side.



Attach Side Rails

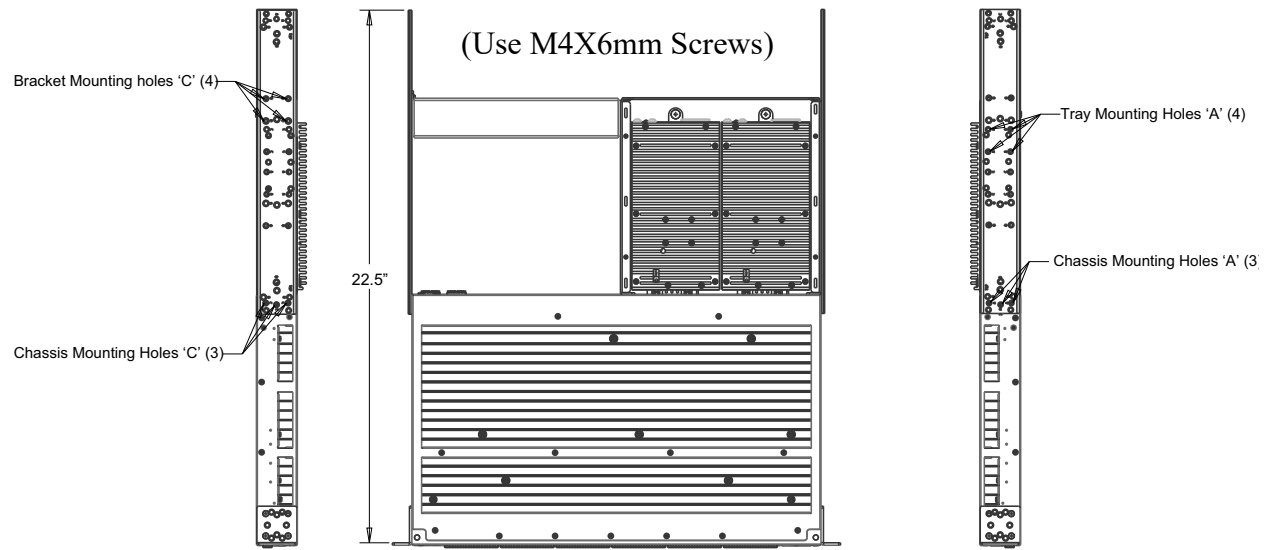


Mount Front Brackets

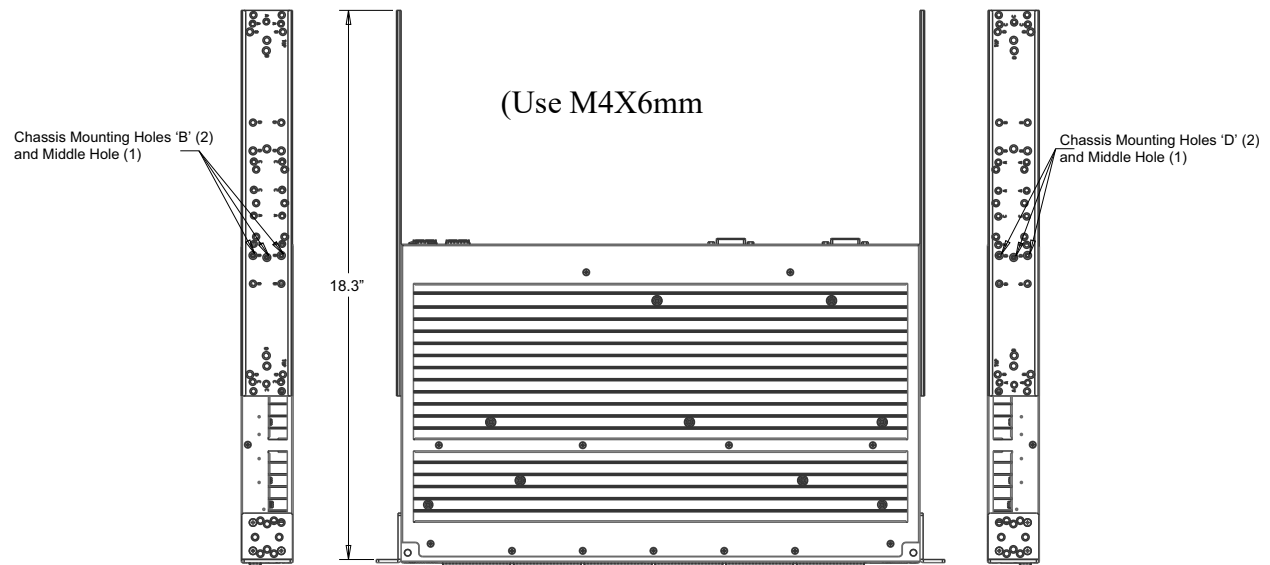


Slide Rear Brackets into Side Rails and Mount

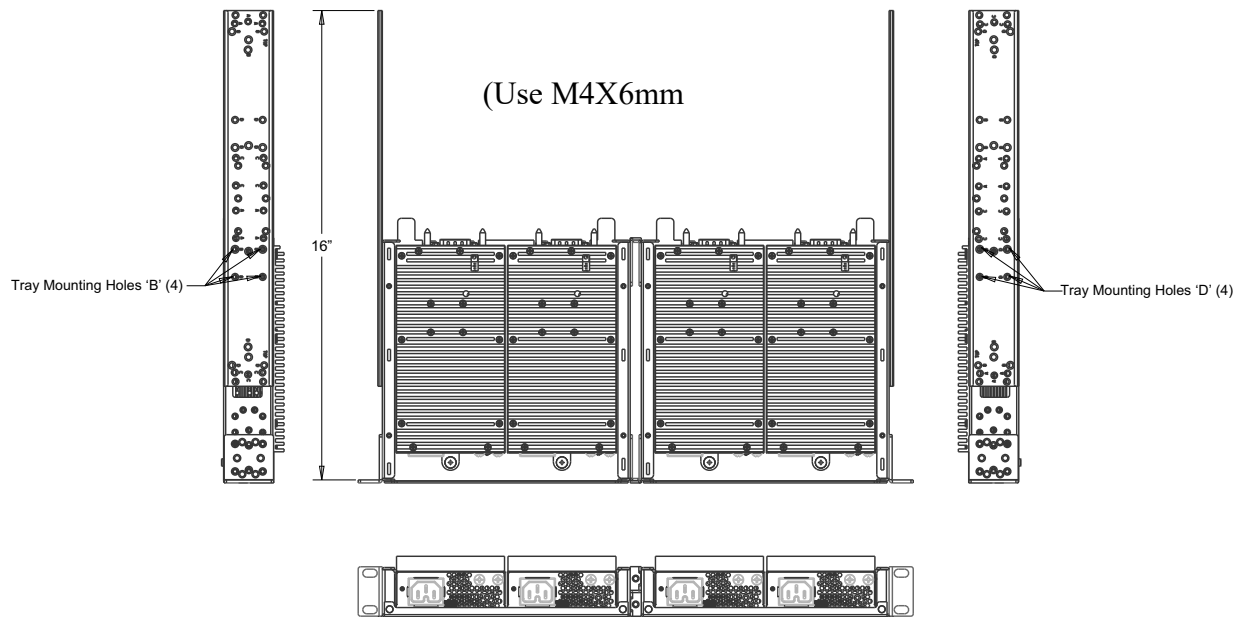
OS6865-REAR-MNT Mounting Kit for OS6865-U28X (Overview)



OS6865-REAR-MNT (Mounting Hole Locations for Chassis and Rear Power Supply Tray)



OS6865-REAR-MNT (Mounting Hole Locations for Chassis Only)



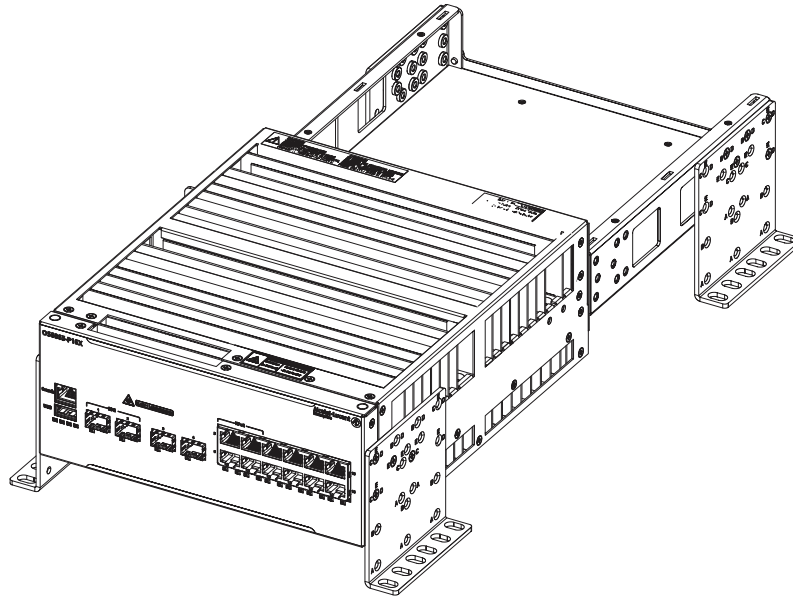
OS6865-TRAY-1U (Mounting Hole Locations for Power Supply Tray)

Table Mounting

Important. Table mount feet provide the 1/2 RU clearance required at the bottom of the chassis. Do not attempt to operate the switch on a tabletop surface without these feet properly installed. For information on installing, refer to [“Attaching Table Mount Feet”](#) on page 1-8. See [“Providing Air Flow and Minimum Recommended Clearances”](#) on page 1-3 for more clearance information.

1. Place the assembly on the tabletop surface. Refer to all requirements—including those outlined in the [“Preparing for the Installation”](#) and [“Providing Air Flow and Minimum Recommended Clearances”](#) on page 1-3—before placing the switch.

2. Fasten the assembly to the surface using attachment bolts or screws as appropriate for the surface material.

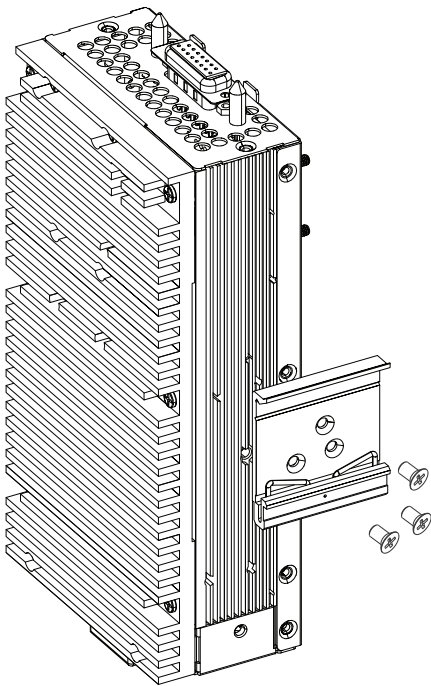


DIN Rail Mounting - Power Supply

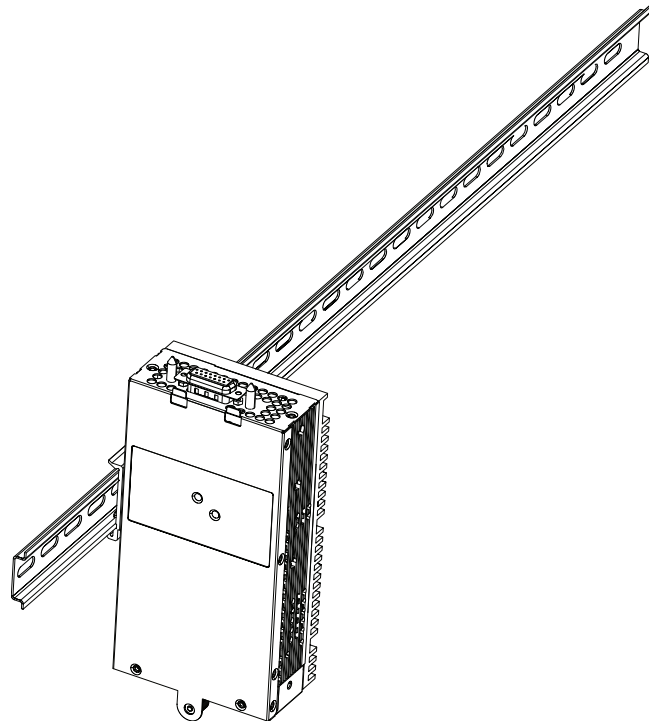
The power supply can be mounted on a DIN rail.

1. Attach DIN rail clip to the power supply using the screws (M4X6mm) provided.
2. Hook the bottom of the DIN rail clip under the bottom of the DIN rail.
3. Push up, compressing the tension spring at the bottom of the DIN rail clip.
4. Once the top of the DIN rail clip is over the top of the DIN rail release the tension on the tension spring and ensure the top and bottom of the DIN rail clip are securely attached.

Warning. When mounted vertically, suitable for mounting on concrete or other non-combustible surfaces only (as shown).



DIN Rail Clip - Attachment



Power Supply - Mounted

DIN Rail Mounting Power Supply

DIN Rail Unmounting - Power Supply

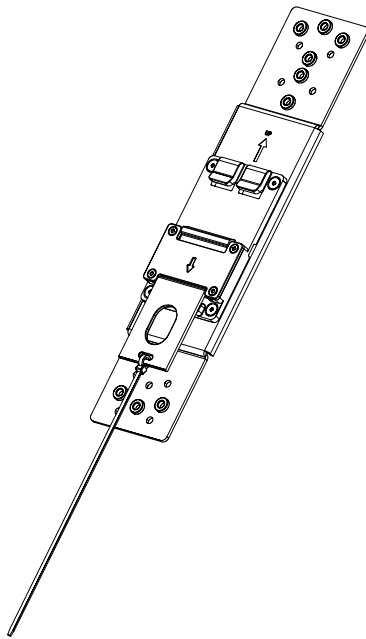
1. Push up, compressing the tension spring at the bottom of the DIN rail clip.
2. Once the top of the DIN rail clip is above the top of the DIN rail, lift the unit from the DIN rail.

DIN Rail Mounting - Chassis

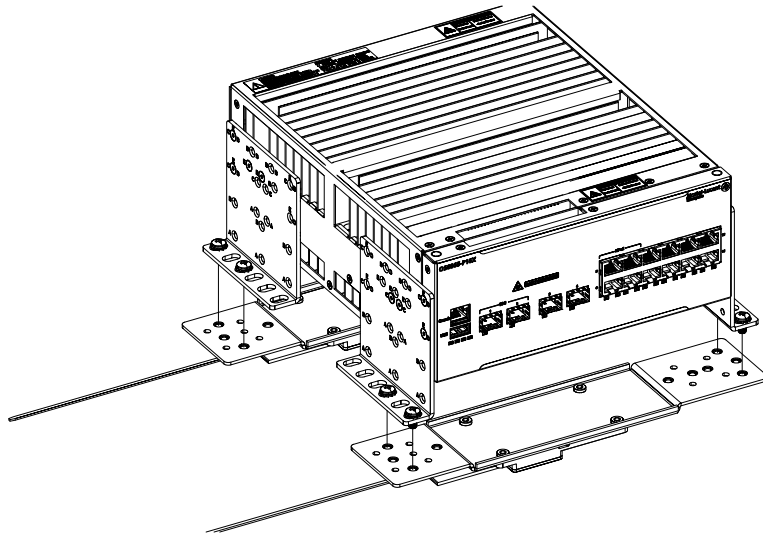
The chassis can be mounted on a DIN rail (OS6865-DIN-MNT).

1. Attach two (2) flat brackets to front and rear of chassis side mount brackets using four (4) screws (M5X10mm) provided for each flat bracket.
2. Hook the top of the DIN rail clips over the top of the DIN rail.
3. Rotate assembly down and pull down on the DIN rail clip strap allowing bottom of DIN rail clip to hook on the bottom of the DIN rail.
4. Release the DIN rail clip strap, securing the assembly in place.

Warning. When mounted vertically, suitable for mounting on concrete or other non-combustible surfaces only (as shown).



Flat Bracket Assembly

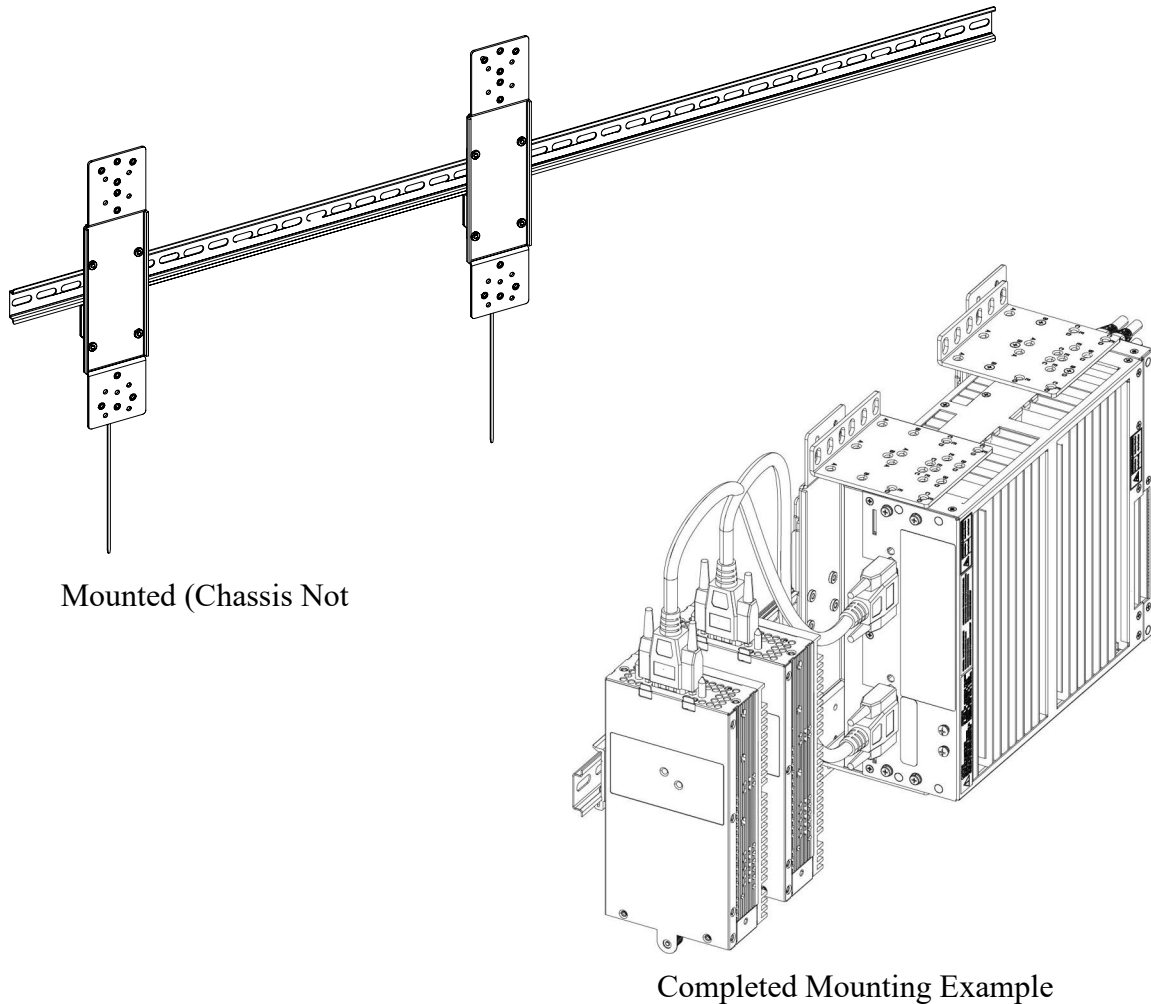


Flat Brackets to Chassis

Attaching Brackets To Chassis

DIN Rail Unmounting - Chassis

1. Pull down on the DIN rail clip straps releasing the bottom of DIN rail clips.
2. Rotate the bottom of the assembly away from the DIN rail and lift the assembly off the DIN rail.



DIN Rail Mounting Chassis Assembly

DNV Mounting Steps

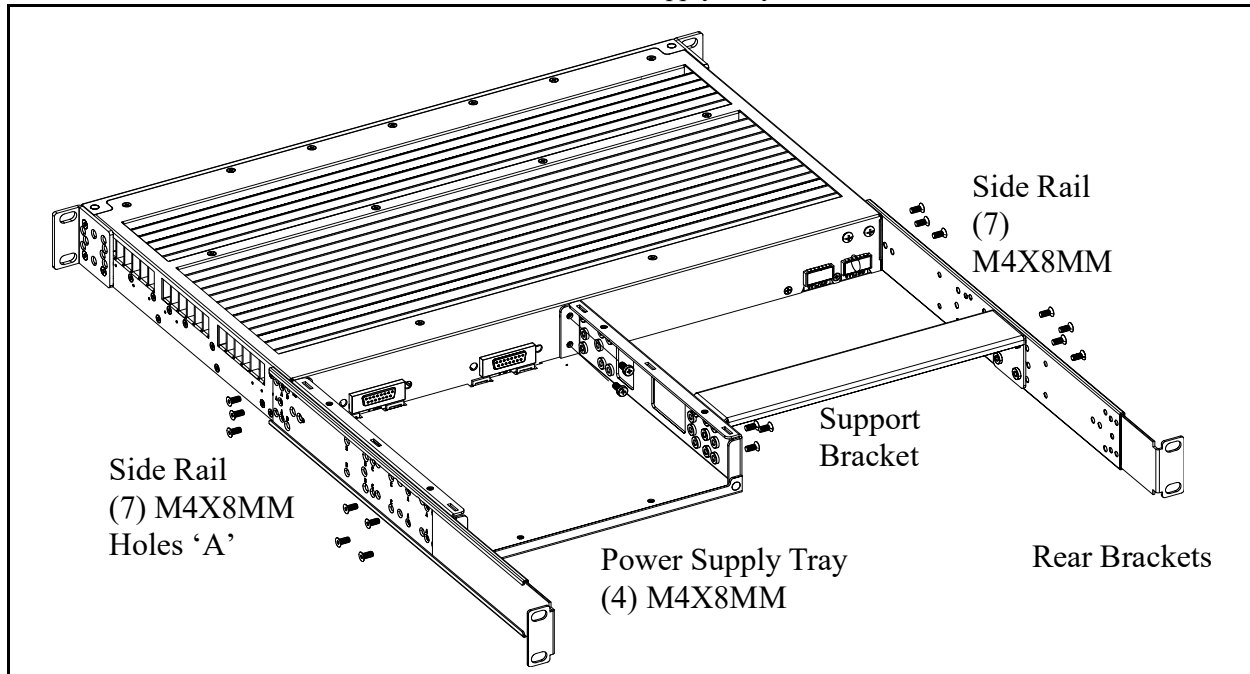
The OmniSwitch chassis can be mounted according to DNV standards. The parts required are contained in the **OS6865-DNV-FRCK** and **OS6865-DNV-HRCK** kits.

- **OS6865-DNV-FRCK** (Full Rack) - (2) Side Rails, (2) Rear Brackets, (1) Support Bracket, (21) M4X8MM with **DNV Power Supply Tray and Cover** - (1) Power Supply Tray (182343-10), (1) Power Supply Cover, (1) Filler Bracket, (2) Slider Brackets, (6) M3X6MM (Flat), (4) M3X6MM (Round)
- **OS6865-DNV-HRCK** (Half Rack) - (2) Front Brackets, (2) Side Rails, (2) Rear Brackets, (1) Front Chassis-to-Tray Bracket, (1) Rear Chassis-to-Tray Bracket, (8) M4X8MM, (8) M3X6MM, (8) M4X6MM with **DNV Power Supply Tray and Cover** - (1) Power Supply Tray (182343-10), (1)

Power Supply Cover, (1) Filler Bracket, (2) Slider Brackets, (6) M3X6MM (Flat), (4) M3X6MM (Round)

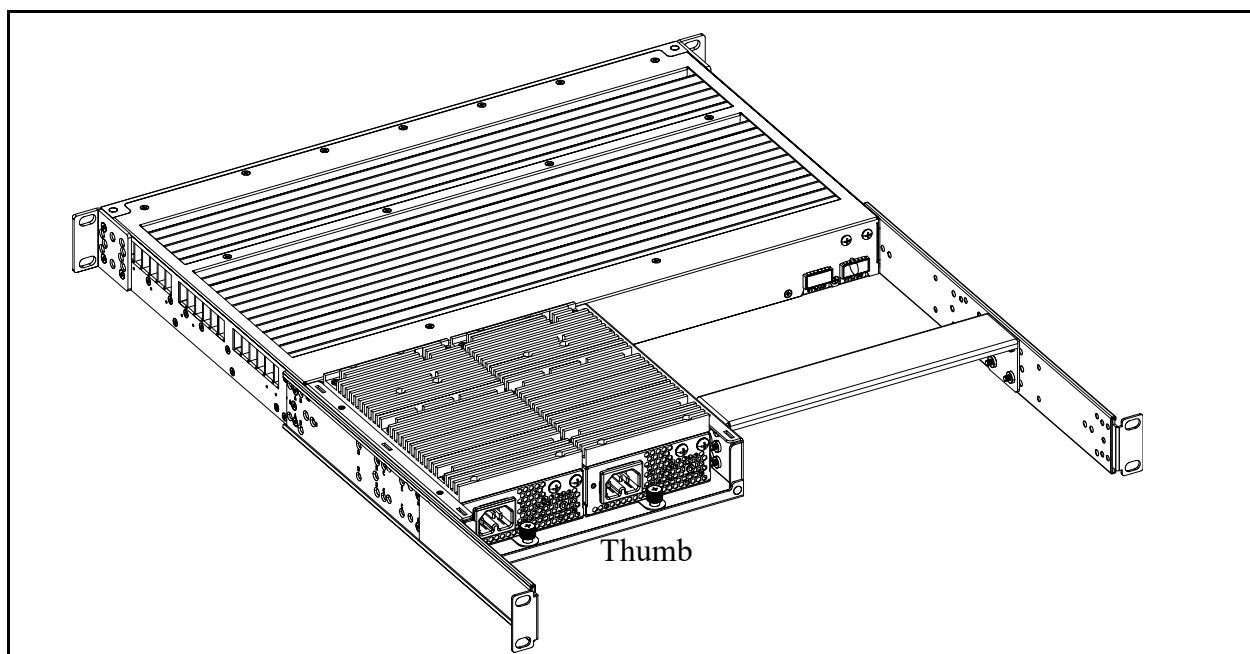
Full-rack Mounting

- 1 Install the Side Rails, Rear Brackets, and Power Supply Tray.



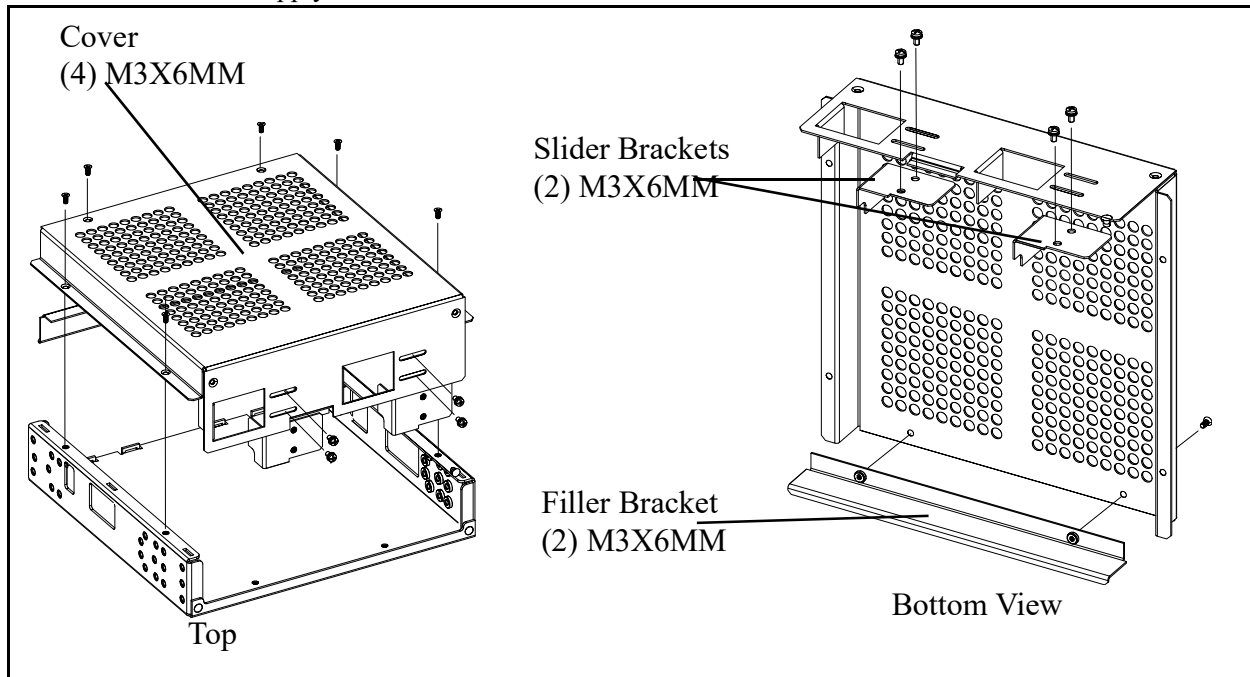
Rails and Power Supply Tray

- 2 Install Power Supplies.



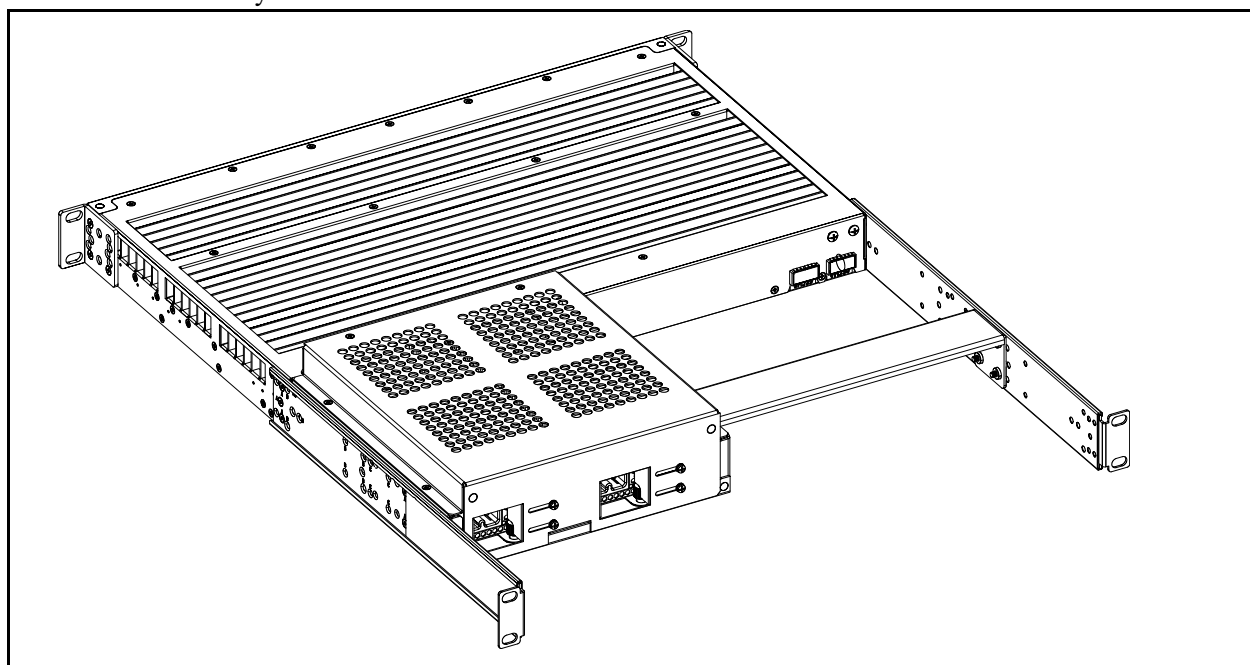
Side Rails, Rear Brackets, and Power Supply Tray with Power Supplies

3 Install Power Supply Cover.



Power Supply Tray Cover (Power Supplies Not Shown)

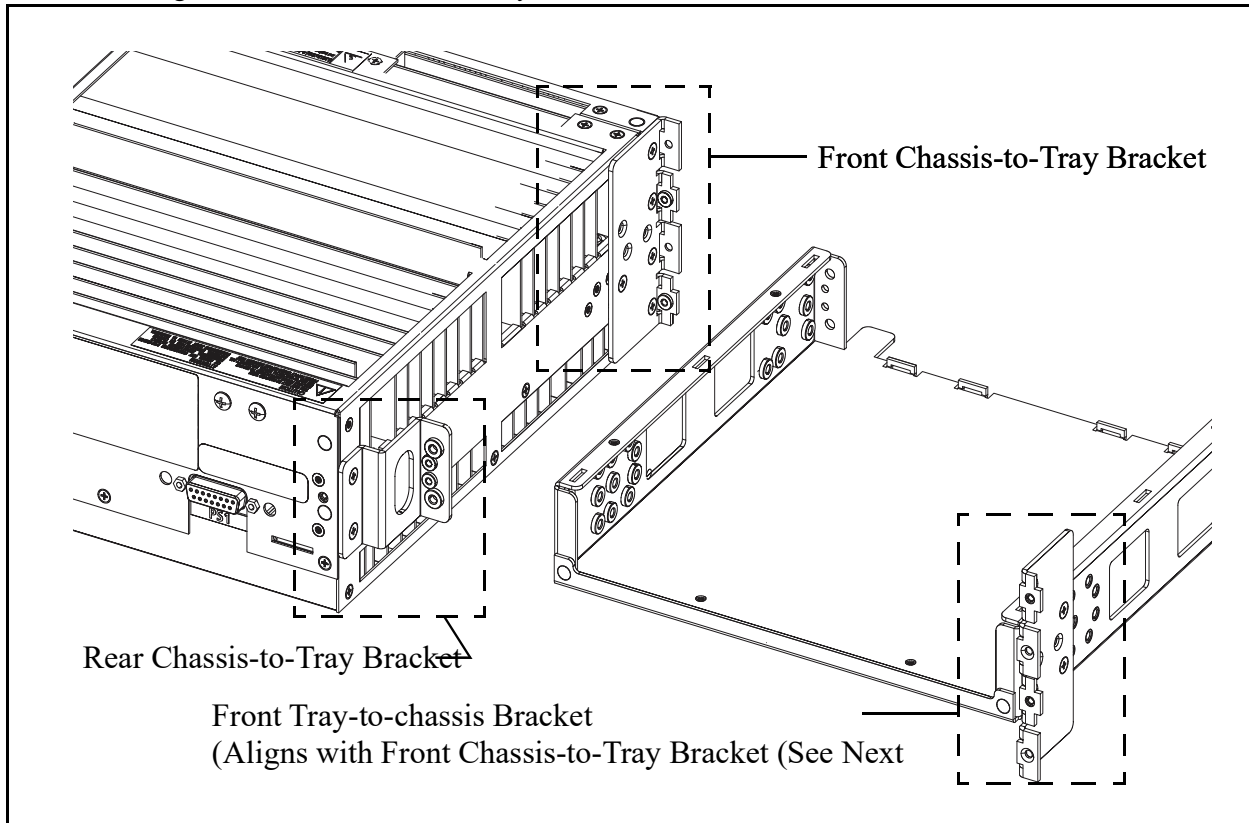
4 Final Assembly



Final Assembly

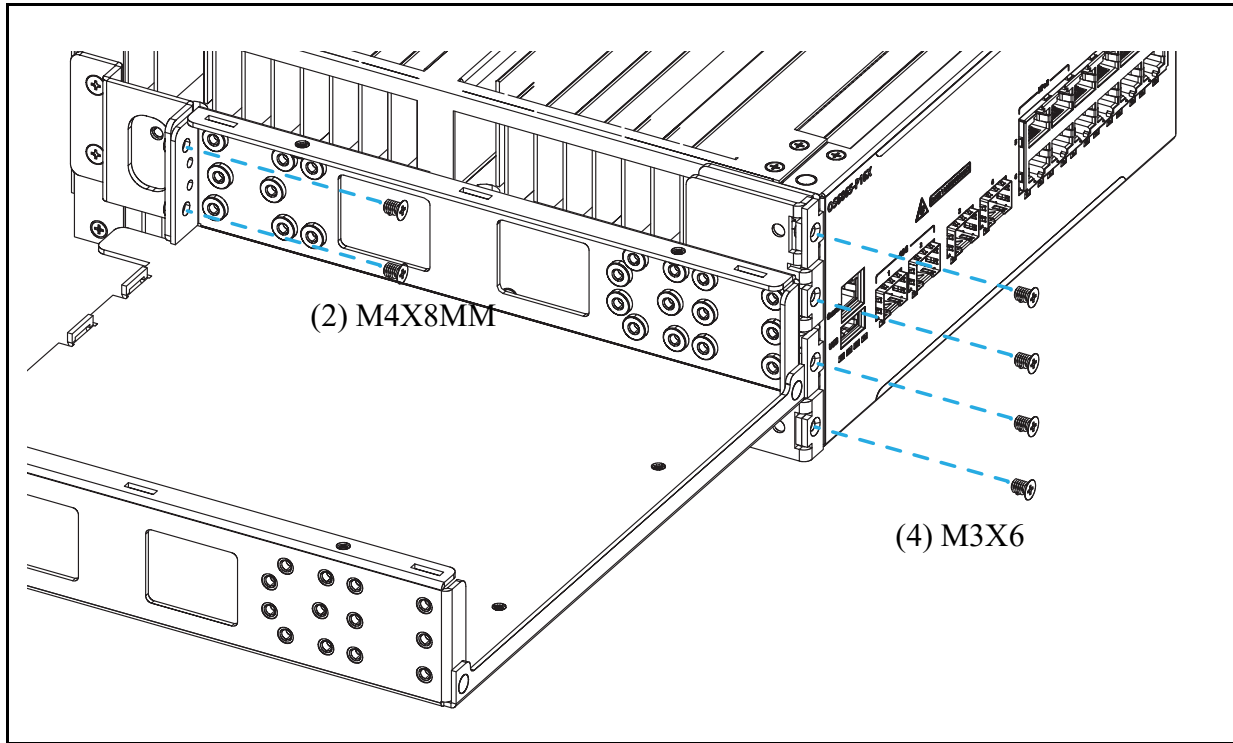
Half-rack Mounting

1. Install / align front and rear chassis-to-tray brackets.



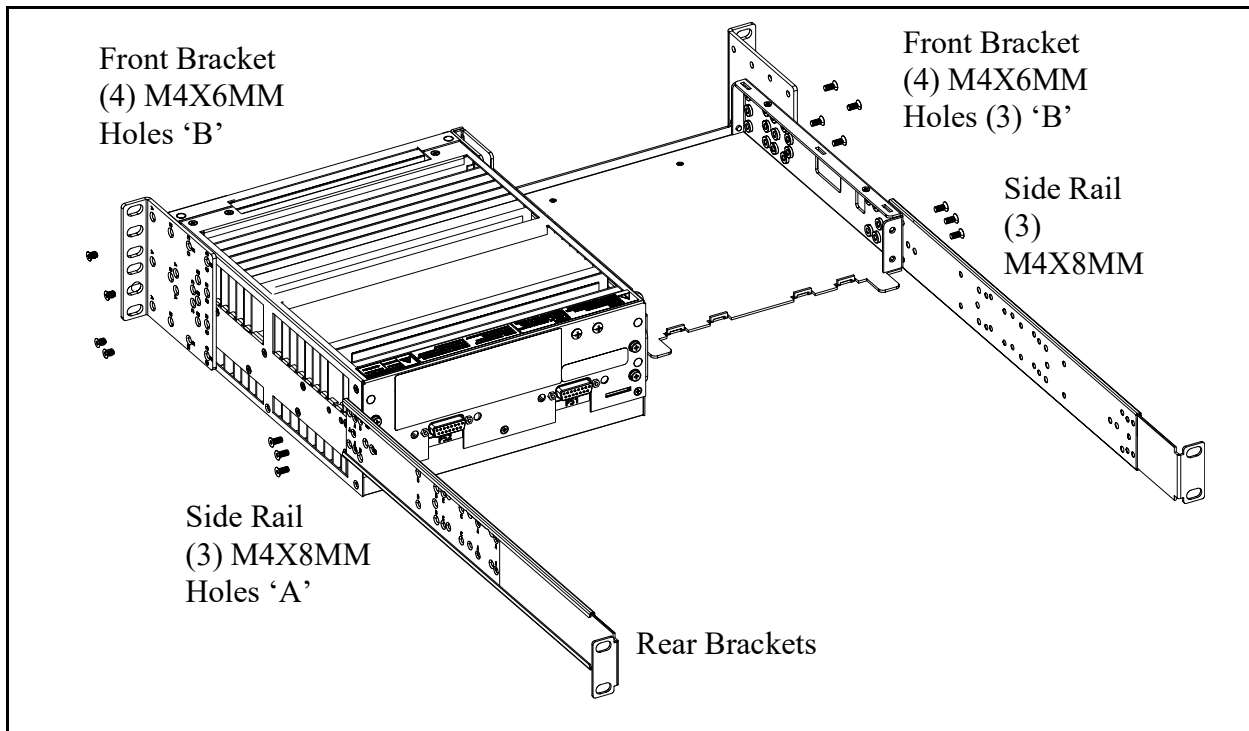
Required Brackets for Side Mount Power Supply Tray (Brackets may be factory-installed.)

- Align the holes in the power supply tray and fasten the two parts into a single assembly using the attachment screws.



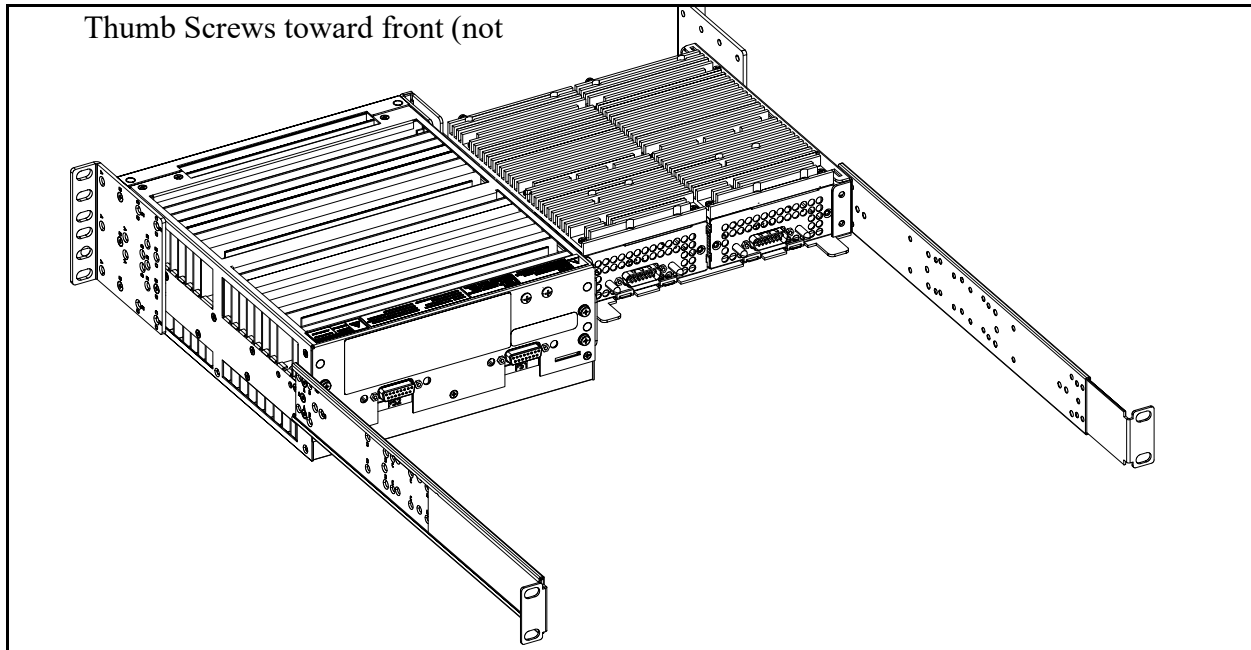
Secure Power Supply Tray to Chassis

- Install Front Brackets and Side Rails.



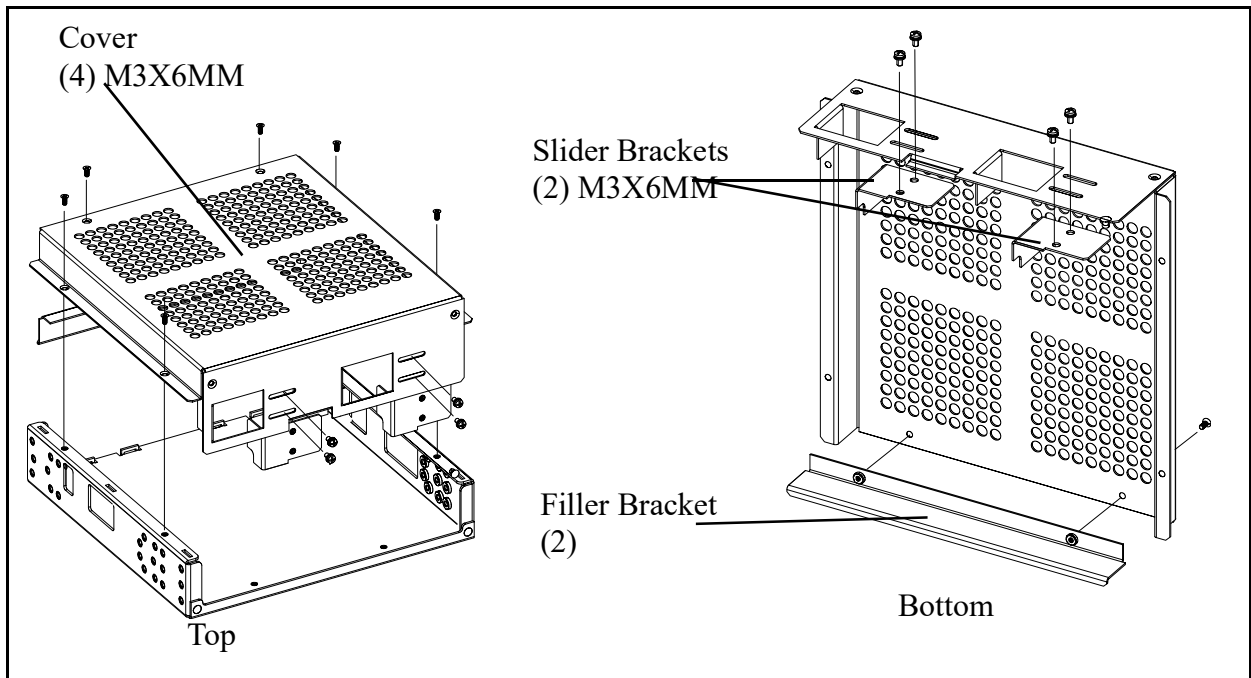
Attach Brackets and Rails

- 4. Install Power Supplies using thumb screws.



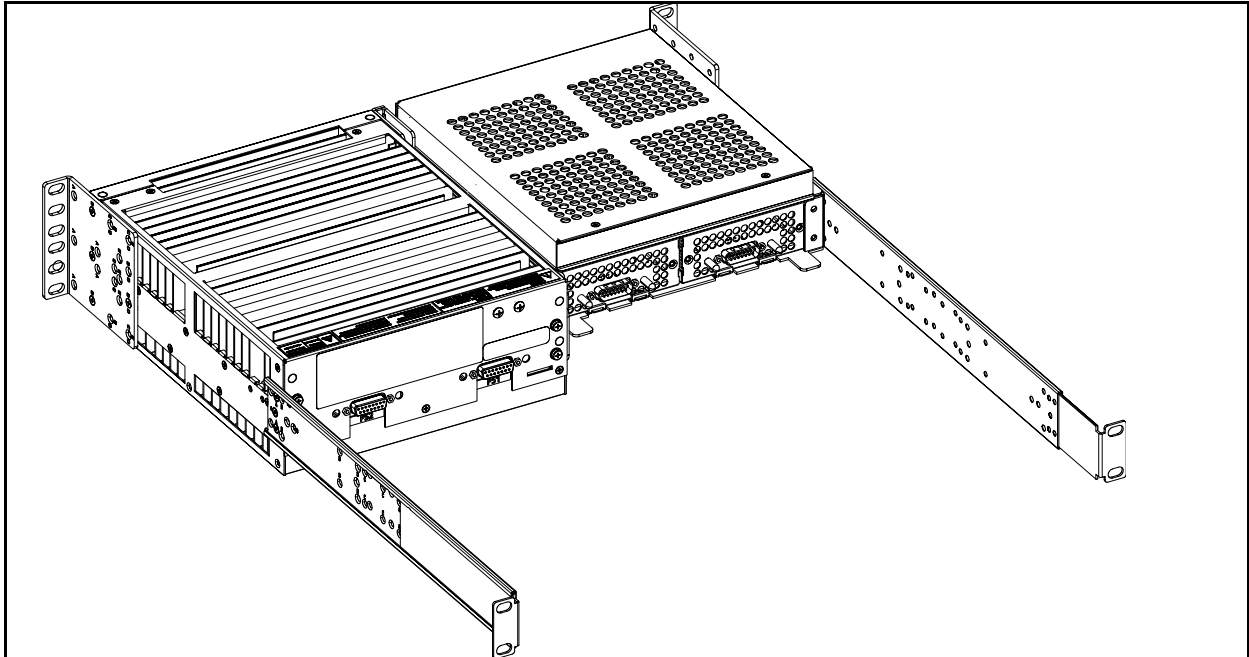
Side Rails, Rear Brackets, and Power Supply Tray with Power Supplies

- 5. Install Power Supply Cover.



Side Power Supply Tray Cover (Power Supplies Not Shown)

6. Final Assembly

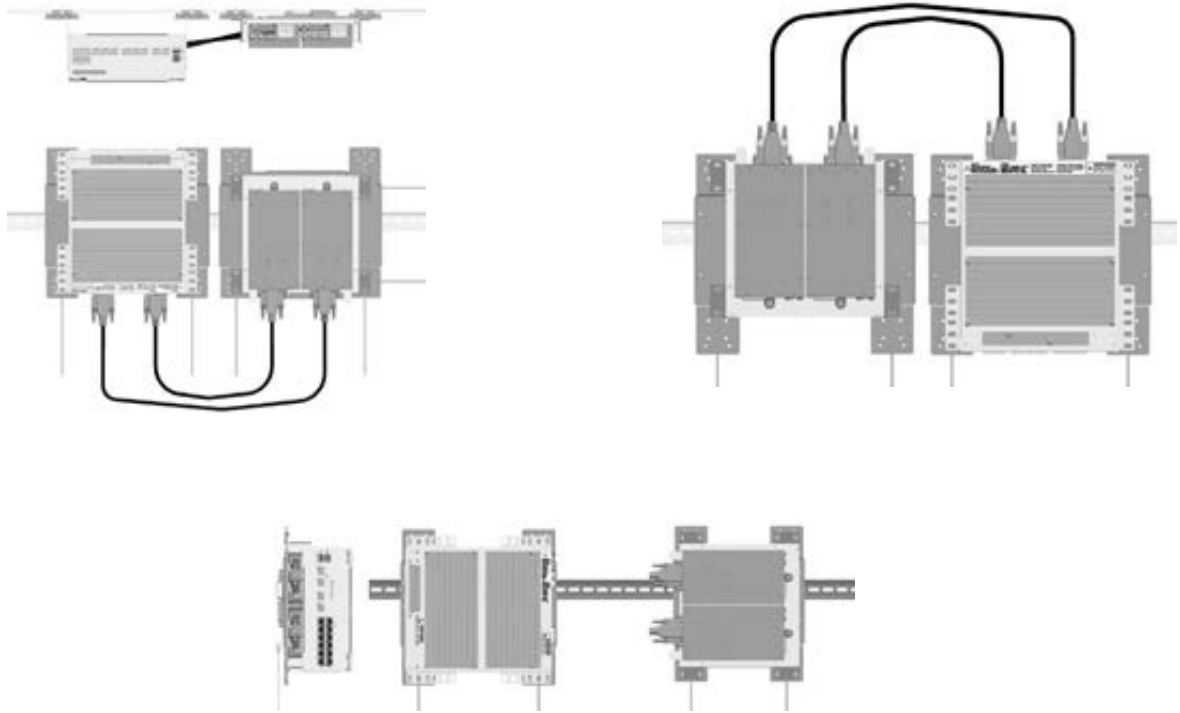


Final Assembly

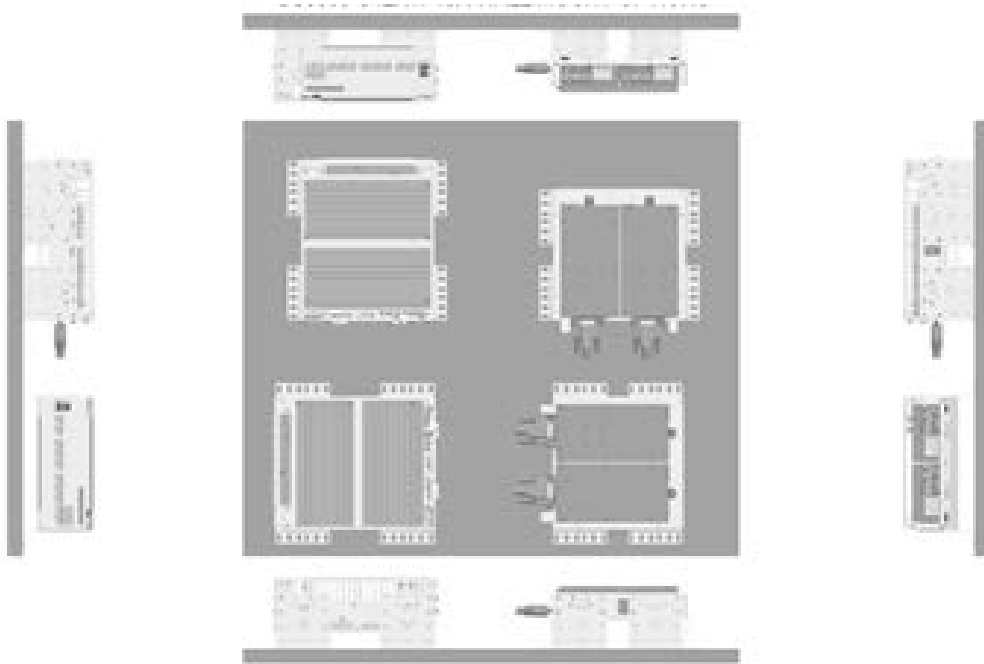
Additional DIN / Wall Mounting Examples

This section provides images of additional mounting examples.

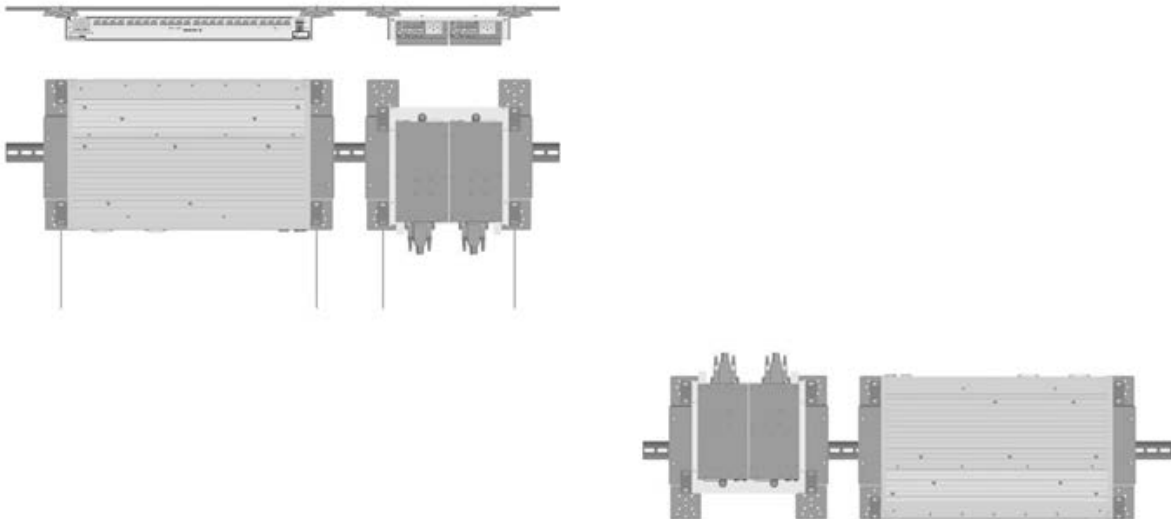
- Be sure that the wall section and wall attachment screws (not provided) have the required strength to easily support the chassis assembly, mounting brackets, and power supplies.
- For each mounting hole the use of screws long enough (i.e. 3.5mm X 25mm) to penetrate any soft surfaces, such as sheetrock or drywall, and securely attach to a hard surface such as a wall stud or plywood backing is recommended.



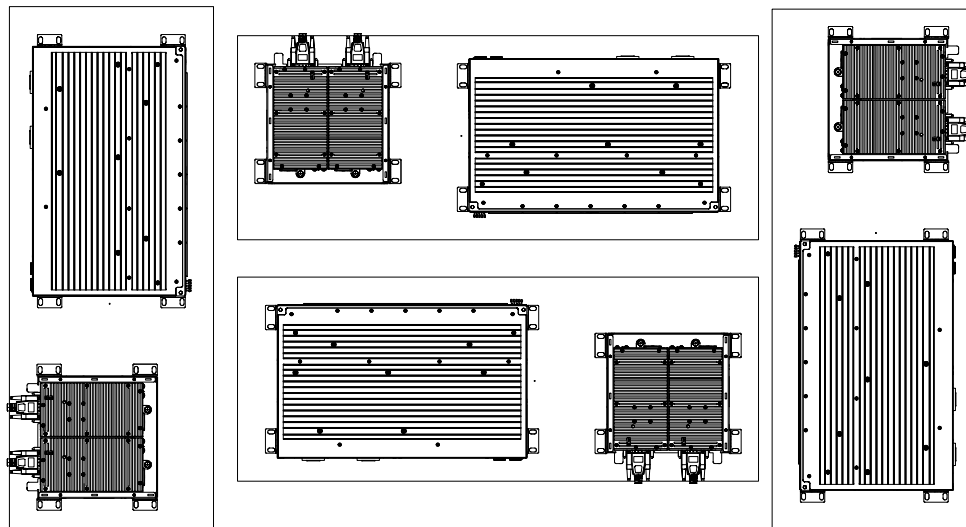
OS6865-U12X/P16X DIN Rail Examples



OS6865-U12X/P16X Wall Mount Examples



OS6865-U28X DIN Mount Examples



OS6865-U28X Wall Mount Examples

Connections and Cabling

Once the switch is properly installed, connect all network and management cables required for network applications.

Network Cable Installation Warning

Never install exposed network cables outdoors. Install network cables per manufacturer requirements.

For additional information on cabling for console, USB, and other connections, refer to the *OmniSwitch AOS Switch Management Guide*.

Serial Connection to the Console Port

The console port provides a serial connection to the switch using an RJ45 connector and is required when logging into the switch for the first time.

Serial Connection Default Settings

baud rate	9600
parity none	none
data bits (word size)	8
stop bits	1

For information on modifying these settings, refer to the *OmniSwitch AOS Switch Management Guide*.

Booting the Switch

The switch does not have a power on/power off switch. To boot a switch, plug a power cord into the power supply unit and then plug the cord into an easily-accessible, properly grounded power outlet. (Do not use an extension cord.)

The switch will power on and boot automatically.

Connect any redundant power supply power cords and plug them into a power outlet as well.

System and Port LEDs

During the boot process, component LEDs will flash and change color, indicating different stages of the boot.

System LEDs	
OK	Solid Green: Normal operation Solid Amber: Software error detected Blinking Green: Diagnostics in progress
VC	Off: The switch is booting Blinking Green: VC Master. Unit number identified by the number of blinks. Pauses every 5 seconds. Blinking Amber: VC Slave. Unit number identified by the number of blinks. Pauses every 5 seconds.
PS1	Off: Power supply not present Solid Green: Normal operation Solid Amber: Power supply error detected
PS2	Off: Power supply not present Solid Green: Normal operation Solid Amber: Power supply error detected
SFP/SFP+ Port LEDs	
SFP and SFP+ Ports	Off: No link or link down Solid Green: Link up Blinking Green: Link up with activity Solid Amber: Link up (100M) Blinking Amber: Link up with activity (100M)
RJ45 (PoE) Ports	Off: No link or link down Solid Green: Link up (no PoE) Blinking Green: Link up (no PoE) with activity Solid Amber: Link up (PoE devices connected) Blinking Amber: Link up (PoE devices connected) with activity

Note. Be sure the boot process is complete before checking LED status. If LEDs indicate persist errors, contact Alcatel-Lucent Customer Support.

Once the switch has completely booted, connect to the console port and log in to the switch's Command Line Interface (CLI) and configure basic information. For more information, refer to [“The First Login Session” on page 1-31](#).

The First Login Session

To complete the setup process, follow these steps during the first login session:

- Log in to the switch
- Unlock session types
- Change the login password
- Set the date and time
- Set optional system information
- Save changes

Important. Connect to the switch via the console port before initiating the first login session.

Logging In to the Switch

At the login and password prompts, use the switch's default settings:

Login:	admin
Password:	switch

Note. A user account includes a login name, password, and user privileges. Privileges determine whether the user has read or write access to the switch and which commands the user is authorized to execute. For detailed information on setting up and modifying user accounts, refer to the *OmniSwitch Switch Management Guide*.

The default welcome banner—which includes information such as the current software version and system date—displays, followed by the CLI command prompt:

```
Welcome to the Alcatel-LucentEnterprise OS6865 8.3.1, June 03, 2016.
```

```
Copyright (c) 1994-2014 Alcatel-Lucent. All Rights Reserved.  
Copyright (c) 2014-2016 Alcatel-Lucent Enterprise. All Rights Reserved.
```

```
OmniSwitch(tm) is a trademark of Alcatel-Lucent,  
registered in the United States Patent and Trademark Office.
```

```
->
```

Unlocking Session Types

Remote session types (Telnet, FTP, WebView, SNMP) are restricted until they are manually unlocked by the user. The CLI command used to unlock session types is **aaa authentication**.

Note. Unlocking session types grants switch access to non-local sessions (e.g., Telnet). As a result, anyone with the correct user login and password will have remote access to the switch.

For more information on switch security, refer to the *OmniSwitch AOS Switch Management Guide*.

Unlocking All Session Types

To unlock all session types, enter the following command syntax at the CLI prompt:

```
-> aaa authentication default local
```

Unlocking Specific Session Types

You can also unlock specific session types (console, telnet, ftp, http, snmp, ssh). For example, to unlock Telnet sessions, enter the following command:

```
-> aaa authentication telnet local
```

Refer to the *OmniSwitch CLI Reference Guide* for complete **aaa authentication** command syntax options.

Changing the Login Password

Change the login password for admin user sessions by following the steps below:

1. Be sure that you have logged into the switch as user type *admin* (see [“Logging In to the Switch” on page 1-31](#)).
2. Type **password** at the prompt and press Enter.
3. Enter the new password at the prompt.

Note. Be sure to remember or securely record all new passwords; overriding configured passwords on an OmniSwitch is restricted.

4. You will be prompted to re-enter the password. Enter the password a second time.

New password settings are automatically saved in real time to the local user database; the user is not required to enter an additional command in order to save the password information. Also note that new password information is retained following a reboot. All subsequent login sessions, including those through the console port, will require the new password to access the switch.

For detailed information on managing login information, including user names and passwords, refer to the *OmniSwitch Switch Management Guide*.

Setting the System Time Zone

The switch's default time zone is UTC. If you require a time zone that is specific to your region, or if you need to enable Daylight Savings Time (DST) on the switch, you can configure these settings via the **system timezone** and **system daylight-savings-time** commands.

For detailed information on configuring a time zone for the switch, refer to the *OmniSwitch AOS Switch Management Guide*.

Setting the Date and Time

Set the current time for the switch by entering system time, followed by the current time in *hh:mm:ss*.

To set the current date for the switch, enter system date, followed by the current date in *mm/dd/yyyy*.

Setting Optional Parameters

Specifying an Administrative Contact

An administrative contact is the person or department in charge of the switch. If a contact is specified, users can easily find the appropriate network administrator if they have questions or comments about the switch. To specify an administrative contact, use the **system contact** command.

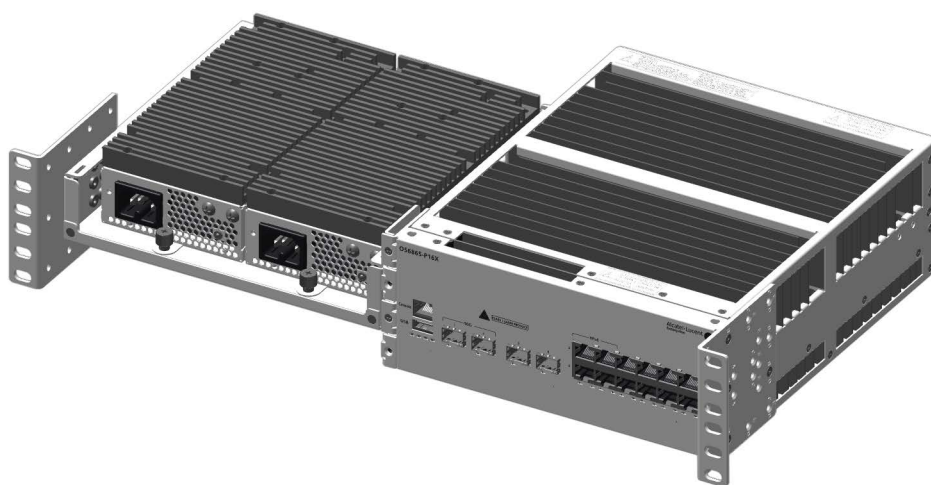
Specifying a System Name

The system name is a simple, user-defined text description for the switch. To specify a system name, use the **system name** command.

2 Chassis and Power

OmniSwitch 6865-P16X

The Alcatel-Lucent Enterprise OmniSwitch® 6865 series are Gigabit Ethernet (GigE) and 10 Gb Ethernet (GigE) switches designed for demanding electrical and severe temperature environments.



OmniSwitch 6865-P16X (Side Mounted Power Supply Tray Shown)

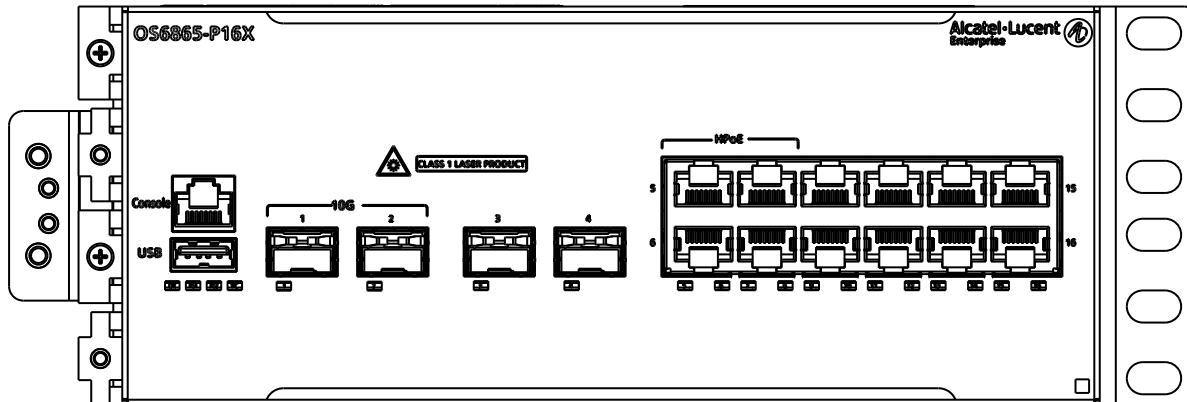
OmniSwitch 6865-P16X Chassis Specifications

Fans	None
Power Supplies	2 total (1 primary PSU and 1 optional backup PSU)
Rack Unit Dimensions	2 RU (Additional clearance is required for airflow, see “Providing Air Flow and Minimum Recommended Clearances” on page 2-17 for more information.)
Dimensions (WxHxD)	21.6 cm (8.5 in) x 8.81 cm (3.47 in) x 26 cm (10.24 in)
Weight	5.07 kg (11.18 lb)
Operating Temperature (TMRA)	With airflow: -40°C to 74°C (-40°F to 165°F) Without airflow: -40°C to 65°C (-40°F to 149°F) With DNV Power Supply Cover (with or without airflow): -40°C to 55°C (-40°F to 131°F)

OmniSwitch 6865-P16X Chassis Specifications

Storage Temperature	-40°C to 85°C (-40°F to 185°F)
Operating and Storage Humidity	5% to 95% non-condensing
Altitude	4000m/13,000 feet
75W HPoE / 60W 802.3bt Ports	4
30W PoE+ Ports	8
SFP Ports	2
1G/10G SFP+ Ports	2
1588v2 Capability	Supported
PoE Power Budget	See “Power over Ethernet Budget” on page 3-48 for more information.
Power Consumption (idle)	30W

Chassis Front Panel

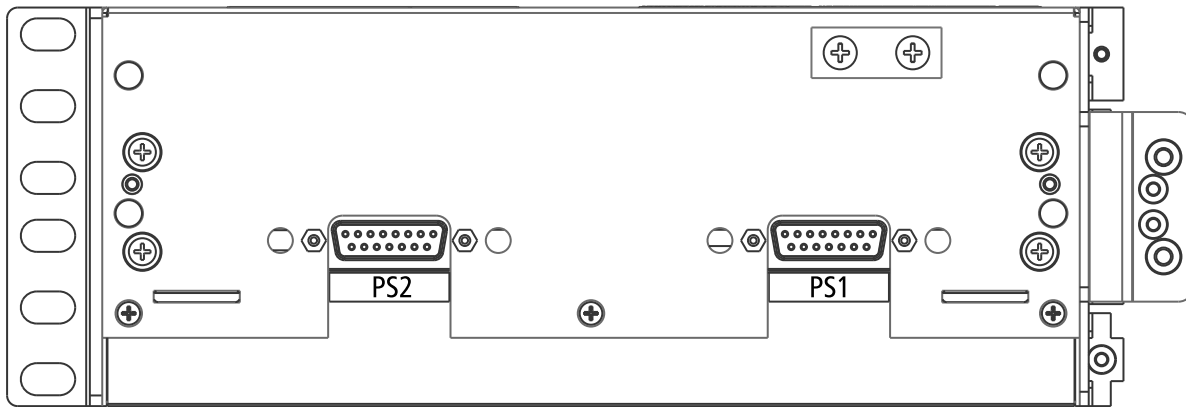


Front Panel Descriptions (Left to Right)

Console (RJ45)	For console or modem
USB Type A	For storage devices that can download code or save configuration information, such as flash-based pen drives or external hard drives. For Maintenance Only.
Ports 1 and 2	Two (2) fixed SFP+ (1G/10G)
Ports 3 and 4	Two (2) 1000Base-X SFP
Ports 5 through 8	Four (4) 10/100/1000Base-T PoE+/802.3bt (supporting 75W HPoE / 60W 802.3bt per port)
Ports 9 through 16	Eight (8) 10/100/1000Base-T PoE+ (supporting 30W PoE per port)

Note: For LED descriptions, refer to [“System and Port LEDs”](#) on page 2-43.

Chassis Rear Panel



Rear Panel Descriptions (Left to Right)

PS2	Power Supply Connector
PS1	Power Supply Connector
Grounding Block	Chassis Ground

OmniSwitch 6865-U12X

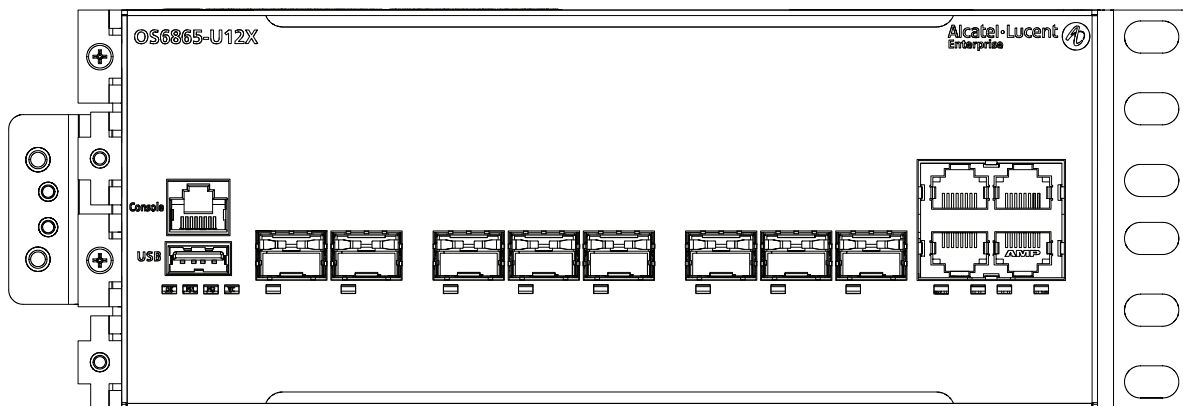
OmniSwitch 6865-U12X Chassis Specifications

Fans	None
Power Supplies	2 total (1 primary PSU and 1 optional backup PSU)
Rack Unit Dimensions	2 RU (Additional clearance is required for airflow, see “Providing Air Flow and Minimum Recommended Clearances” on page 2-17 for more information.)
Dimensions (WxHxD)	21.6 cm (8.5 in) x 8.81 cm (3.47 in) x 26 cm (10.24 in)
Weight	5.17 kg (11.40 lb)
Operating Temperature (TMRA)	With airflow: -40°C to 74°C (-40°F to 165°F) Without airflow: -40°C to 65°C (-40°F to 149°F) With DNV Power Supply Cover (with or without airflow): -40°C to 55°C (-40°F to 131°F)
Storage Temperature	-40°C to 85°C (-40°F to 185°F)
Operating and Storage Humidity	5% to 95% non-condensing
Altitude	4000m/13,000 feet
75W HPoE / 60W 802.3bt Ports	4

OmniSwitch 6865-U12X Chassis Specifications

30W PoE+ Ports	0
SFP Ports	6
1G/10G SFP+ Ports	2
1588v2 Capability	Supported
PoE Power Budget	See “Power over Ethernet Budget” on page 3-48 for more information.
Power Consumption (idle)	29W

Chassis Front Panel

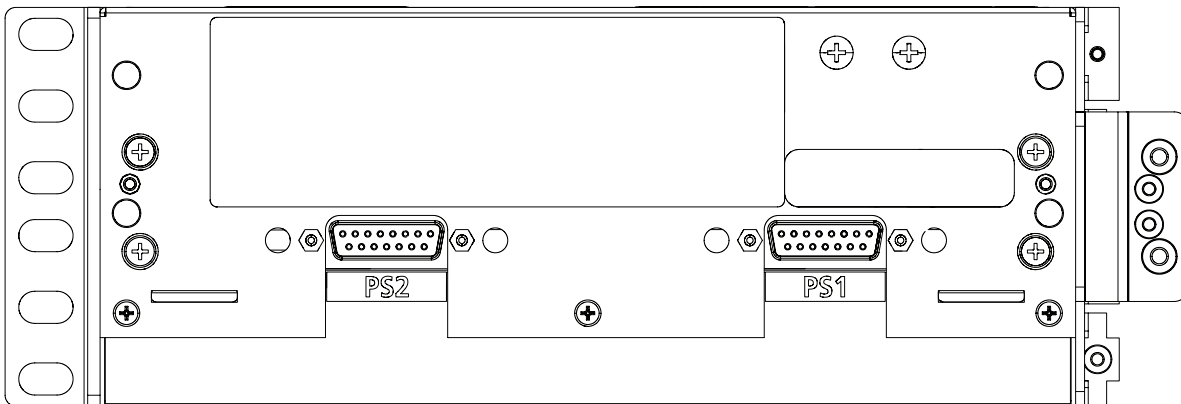


Front Panel Descriptions (Left to Right)

Console (RJ45)	For console or modem
USB Type A	For storage devices that can download code or save configuration information, such as flash-based pen drives or external hard drives. For Maintenance Only.
Ports 1 and 2	Two (2) fixed SFP+ (1G/10G)
Ports 3 and 4	Two (2) 1000Base-X SFP
Ports 5 through 8	Four (4) 100Base-FX/1000Base-X SFP
Ports 9 through 12	Four (4) 10/100/1000Base-T PoE+/802.3bt (supporting 75W HPoE / 60W 802.3bt per port)

Note: For LED descriptions, refer to [“System and Port LEDs”](#) on page 2-43.

Chassis Rear Panel



Rear Panel Descriptions (Left to Right)

PS2	Power Supply Connector
PS1	Power Supply Connector
Grounding Block	Chassis Ground

OmniSwitch 6865-U28X

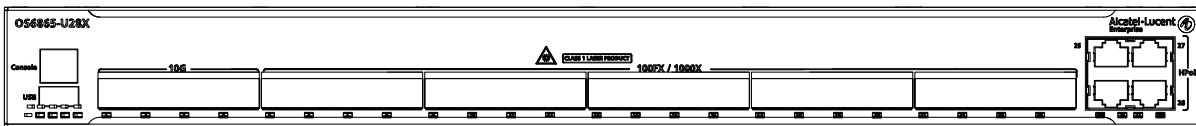
OmniSwitch 6865-U28X Chassis Specifications

Fans	None
Power Supplies	2 total (1 primary PSU and 1 optional backup PSU)
Rack Unit Dimensions	1 RU (Additional clearance is required for airflow, see “Providing Air Flow and Minimum Recommended Clearances” on page 2-17 for more information.)
Dimensions (WxHxD)	43.75 cm (17.2 in) x 4.4 cm (1.73 in) x 26.88 cm (10.6 in)
Weight	6.28 kg (13.85 lb)
Operating Temperature (TMRA)	With airflow: -40°C to 74°C (-40°F to 165°F) Without airflow: -40°C to 65°C (-40°F to 149°F) With DNV Power Supply Cover (with or without airflow): -40°C to 55°C (-40°F to 131°F)
Storage Temperature	-40°C to 85°C (-40°F to 185°F)
Operating and Storage Humidity	5% to 95% non-condensing
Altitude	4000m/13,000 feet
75W HPoE / 60W 802.3bt Ports	4

OmniSwitch 6865-U28X Chassis Specifications

30W PoE+ Ports	0
SFP Ports	20
1G/10G SFP+ Ports	4
1588v2 Capability	Supported
PoE Power Budget	See “Power over Ethernet Budget” on page 3-48 for more information.
Power Consumption (idle)	50W

Chassis Front Panel

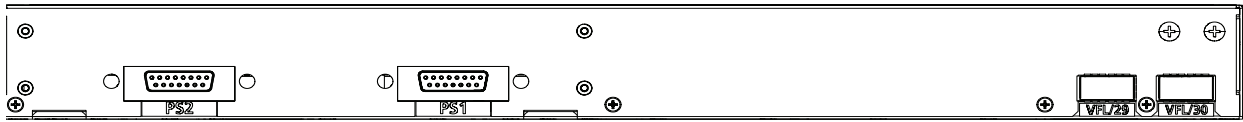


Front Panel Descriptions (Left to Right)

Console (RJ45)	For console or modem
USB Type A	For storage devices that can download code or save configuration information, such as flash-based pen drives or external hard drives. For Maintenance Only.
Ports 1 through 4	Four (4) fixed SFP+ (1G/10G)
Ports 5 through 24	Twenty (20) 100Base-FX/1000Base-X SFP
Ports 25 through 28	Four (4) 10/100/1000Base-T PoE+/802.3bt (supporting 75W HPoE / 60W 802.3bt per port)

Note: For LED descriptions, refer to [“System and Port LEDs”](#) on page 2-43.

Chassis Rear Panel

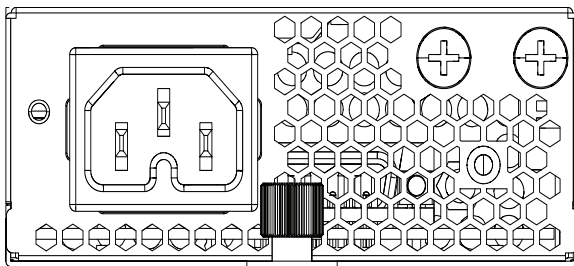


Rear Panel Descriptions (Left to Right)

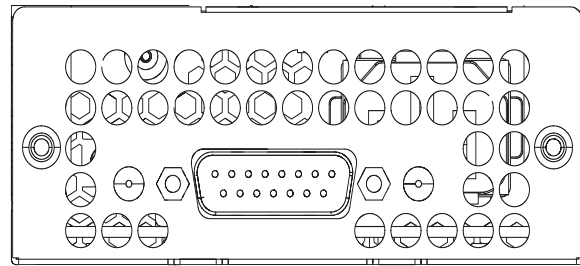
PS2	Power Supply Connector
PS1	Power Supply Connector
Grounding Block	Chassis Ground
Ports 29 and 30	QSFP+ VFL Ports

Power Supplies

OS6865-BP - 180W AC Power Supply



Power Supply Front



Power Supply Rear

OS6865-BP - 180W Power Supply

Description	Modular AC power supply. Up to two (2) power supplies may be installed.
Dimensions (H x W x L)	5.1 cm x 9.5 cm x 18.1 cm (2 in x 3.74 in x 7.12 in)
Weight	1.36 kg (3.00 lbs)
Input Voltage / Current / Hz	100 VAC to 240 VAC / 3 A - 1.5 A / 50-60 Hz
Output Voltage / Current	+56 VDC / 3.22 A
Fans	0

Front-of-Supply Component Descriptions (Left to Right)

Power Cord Connector

Front-of-Supply Component Descriptions (Left to Right)

Thumb Screw

Grounding Block

Power Supply Ground

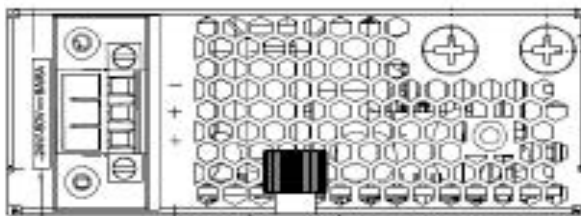
Status LED

Solid Green indicates normal operation

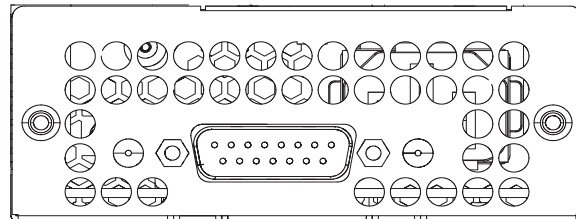
Rear-of-Supply Component Descriptions

DB-15 Connector (with Guide Pins)

OS6865-BP-D - 180W/140W DC Power Supply



Power Supply Front



Power Supply Rear

OS6865-BP-D 180W/140W DC Power Supply

Description	Modular DC power supply. Up to two (2) power supplies may be installed.
Dimensions (H x W x L)	5.1 cm x 9.5 cm x 18.1 cm (2 in x 3.74 in x 7.12 in)
Weight	1.44 kg (3.17 lbs)
Input Voltage / Current	-20 VDC to -28 VDC / 12A -36 VDC to -72 VDC / 6A
Output Voltage / Current	-56V/2.5A (140W) -56V/3.22A (180W)
Fans	0

Front-of-Supply Component Descriptions (Left to Right)

DC Power Connector

See [“DC Power Supply Connection” on page 2-10](#)

Thumb Screw

Front-of-Supply Component Descriptions (Left to Right)

Grounding Block

Power Supply Ground

Status LED

Solid Green indicates normal operation

Rear-of-Supply Component Descriptions

DB-15 Connector (with Guide Pins)

DC Power Supply Connection

Connecting a DC Cable Harness to the Chassis Power Supply

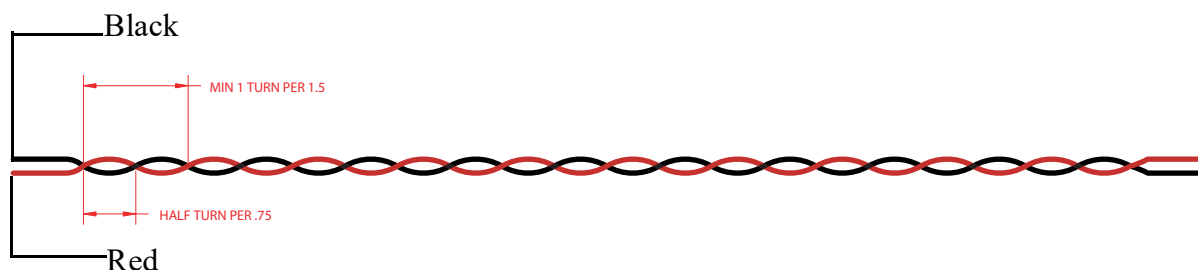
When plugging in the cable, insert the connector end of the cable harness into the power supply connector until it clicks firmly into place. This is an indication that the connector is secure and properly seated. Secure the screws.

Connecting a DC Cable Harness to the DC Power Source

The other end of the cable harness is bare. Users must assemble and connect this end to the DC power source or to a cable coming from the power source. In addition to following the important guidelines listed below, be sure to consult manufacturer specifications for the DC power source before starting.

- Connect the power supply to a reliably grounded -24V or -48V DC SELV source.
- Use common DC return connections for the DC power supplies. The DC return terminal conductor should be connected to the equipment frame.
- The branch circuit overcurrent protection must be rated 15A.
- Use two 12 AWG copper conductors.
- A readily accessible disconnect device that is suitably approved and rated shall be incorporated in the field wiring.

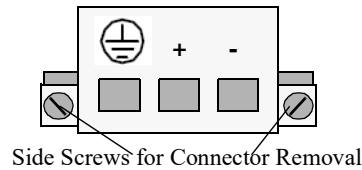
CAUTION: Installation of a DC cable that is more than 3 meters in length is subject to LOCAL CODES and AUTHORITIES. Please contact your electrician and the Local AHJ (Authority Having Jurisdiction) to follow the Electrical Codes before use of proper installation methods.



Twisted pair wire (red and black) for a DC power supply

Connecting a DC Power Source

The DC power supply contains a power connector with three (3) square slots for connecting the positive, negative, and ground wires from a DC power source.



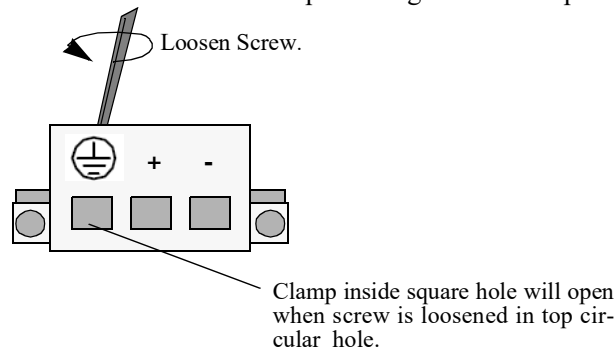
OmniSwitch DC Power Supply Connector

A clamp inside each slot keeps the power wire tightly in place during operation. The DC power supply connector has side screws that can be used to remove the connector if required.

Installing DC Power Source Wire Leads

These instructions describe how to connect your 3-wire DC power source to the power connector on your DC power supply. A small flat-tip screwdriver and a wire stripper are required for this procedure.

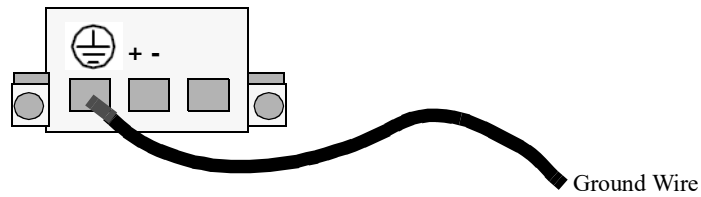
1. Prepare the three (3) wires—12 gauge—that will plug into the power supply. First make sure they are not plugged into the DC power source. Next, use a wire stripper to carefully strip between .24 and .30 inches (6-7.5 mm) off the end of each wire, removing the outer insulation to expose the copper core.
2. Open the clamp for the ground wire slot by inserting a small flat-tip screwdriver into the top of the appropriate circular hole. Loosen the screw so that the clamp for the ground wire opens.



Opening Connector for Ground Wire

3. Insert the ground wire lead into the slot. The lead you insert *must* match the lead attached to the DC power source. Push the wire in far enough such that it reaches the back wall of the connector, about a half inch inside.

Warning. You must plug DC wire leads into the correct holes in the DC power connector. Use the labels above the DC power connector as a guide to positive, negative, and ground connections. If the wire leads are plugged into the wrong holes, the power supply will not work properly and damage to the unit may result.

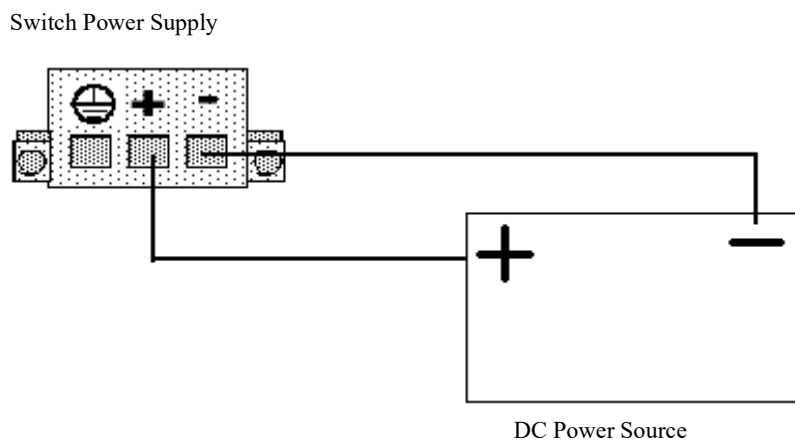


Attaching the Ground Wire

4. Tighten the clamp by tightening the screw above the slot into which you inserted the wire lead. The wire lead should be securely attached inside the connector. You should be able to pull on the wire and not dislodge it.

Warning. For both -24V and -48V input voltages, the positive (+) wire of the sourcing equipment, such as a battery or rectifier, must be connected to the positive (+) terminal of the DC power supply and the negative (-) wire of the sourcing equipment must be connected to the negative (-) terminal of the DC power supply. This rule always applies to both -24V, and -48V input voltages, regardless of the polarity signs shown on the power supply specification labels such as: -48V, +24V, or -24V."

5. Repeat Steps 2 through 4 for the remaining positive and negative wire leads.



Correct Polarity Connections

Dying Gasp

If the switch loses all power it will maintain power long enough to send a Dying Gasp message before completely shutting down. An SNMP trap, Syslog message and Link OAM PDUs will be generated.

Scenarios

A Dying Gasp event will be generated in the following scenarios:

- Primary power supply failure (if only power supply present)
- Primary power supply failure and then backup power supply failure
- Backup power supply failure and then primary power supply failure

Connect each power supply to a separate independent power source to avoid simultaneous power failures.

SNMP Trap

As soon as the power failure is detected, an SNMP trap is sent to the first three configured SNMP stations. The trap includes the following information:

- Slot number
- Power supply type (primary/backup)
- Time of the failure

Use the `snmp station` command and refer to the SNMP Configuration chapter for information on configuring an SNMP station.

Syslog Message

As soon as the power failure is detected, the following Syslog message is sent to the first three configured Syslog servers, along with the time of the failure:

```
Dying Gasp Power Failure Event Occurred
```

Use the `swlog output socket` command to add a Syslog station. Refer to the *Using Switch Logging Configuration* chapter in the *Network Configuration Guide* for information on configuring a Syslog server.

Link OAM PDU

As soon as the power failure is detected four 802.3ah OAM Information PDUs are sent to ports for which link OAM is enabled and the LinkOAM port status is operational. The PDU will have the Dying Gasp bit set.

Use the `efm-oam` and `efm-oam port propagate-events` commands to enable the generation of an 802.3ah OAM Information PDU upon a dying gasp event:

```
-> efm-oam admin-state enable
-> efm-oam port 1/1/23-34 admin-state enable
-> efm-oam port 1/1/23-24 propagate-events dying-gasp enable
```

Link OAM PDU Priority

It may not be possible to generate PDUs on all ports enabled for link OAM. Dying gasp packets will be sent in the following order based on port priority:

1. Uplink ports
2. All other ports

Note: The maximum number of ports which can send out a dying gasp PDU simultaneously is limited to ten ports minus the number of syslog/snmp servers configured. For example, if two snmp servers and one syslog server are configured, the maximum number of ports which can send out a dying gasp PDU is seven.

3 Power Over Ethernet (PoE)

Managing Power over Ethernet (PoE)

Important: It's recommended that PoE-enabled switches with attached IP telephones have operational power supply redundancy at all times for 911 emergency requirements. In addition, both the switch and the power supply should be plugged into an Uninterruptible Power Source (UPS).

Power over Ethernet Specifications		
IEEE Standards supported	IEEE 802.3; 802.af; 802.3at	
Power over Ethernet Settings		
Power over Ethernet Settings	Default	Related Command
PoE operational status	Disabled	lanpower slot service
Total power available to a port	75000 milliwatts (HPoE Ports) 60000 milliwatts (802.3bt) 30000 milliwatts (PoE Ports)	lanpower power
Total power available to an entire slot		lanpower slot maxpower
Power priority level for a port	low	lanpower priority
Capacitor detection method	Disabled	lanpower capacitor-detection
Priority disconnect status	Enabled	lanpower slot priority-disconnect

Power over Ethernet Budget

The following tables list the Power over Ethernet wattages available based on the number and types of power supplies installed and the ambient temperature.

Operating Temperature (TMRA)/ Power Supply	60°C (without airflow)	65°C (without airflow)	74°C (with airflow)
(1) OS6865-BP-D @ 48V	140W	140W	120W
(2) OS6865-BP-D @ 48V	300W	150W	150W
(1) OS6865-BP-D @ 24V	100W	100W	80W
(2) OS6865-BP-D @ 24V	240W	150W	150W
(1) OS6865-BP	140W	140W	140W

(2) OS6865-BP	300W	150W	150W
(1) OS6865-BP and (1) OS6865-BP-D @ 48V	300W	150W	150W
(1) OS6865-BP and (1) OS6865-BP-D @ 24V	240W	150W	150W

OmniSwitch 6865-P16X / U12X PoE Budget and Temperature Table

Operating Temperature (TMRA)/ Power Supply	60°C (without airflow)	65°C (without airflow)	74°C (with airflow)
(1) OS6865-BP-D @ 48V	100W	100W	100W
(2) OS6865-BP-D @ 48V	280W	150W	150W
(1) OS6865-BP-D @ 24V	80W	80W	80W
(2) OS6865-BP-D @ 24V	200W	150W	150W
(1) OS6865-BP	100W	100W	100W
(2) OS6865-BP	280W	150W	150W
(1) OS6865-BP and (1) OS6865-BP-D @ 48V	280W	150W	150W
(1) OS6865-BP and (1) OS6865-BP-D @ 24V	200W	150W	150W

OmniSwitch 6865-U28X PoE Budget / Temperature Table

Determining the Power Available for Powered Devices (PDs)

Viewing Power Supply Status

To view the type and status for installed power supplies, use the **show powersupply** command.

Viewing PoE Status

To view current PoE status and settings, including the amount of PoE power available for incoming powered devices, use the **show lanpower slot** command.

PoE Class Detection

Powered devices can be classified into different classes as shown in the table below. Class detection allows for automatic maximum power adjustment based on the power class detected. This will prevent the switch from delivering more than the maximum power allowed based on a device's class.

During class detection, the switch will allocate the maximum amount of power allowed based on the class detected. Once powered, if the device uses less than the maximum, the remaining power will be made available for other devices.

Class	Usage Classification	Current (mA)	Power Range (Watts)	Class Description
0	Default	0-4	0.44-30.00	Unimplemented
1	Optional	9-12	0.44-3.84	Very Low Power
2	Optional	17-20	3.84-6.49	Low Power
3	Optional	26-30	6.49-12.95	Mid Power
4	Optional	36-44	12.95-30.00	High Power

Although class-detection is disabled by default, power is still provided to incoming PDs (if available in the power budget). However, to strictly enforce class detection as specified in the 802.3at standard, class detection must be enabled using the **lanpower slot class-detection** command.

Enabling class detection will reset all PoE ports.

PoE Operational Status

Enabling PoE

By default, PoE is administratively enabled in the switch's system software. However, in order to physically activate PoE, you must issue the **lanpower slot service** command on a slot-by-slot basis before any connected devices will receive inline power.

To activate power to PoE-capable in a switch, enter the corresponding slot number only. For example:

```
-> lanpower slot 2/1 service start
```

If power to a particular port has been administratively disconnected, you can reactivate power to the port using the **lanpower port admin-state** command. For example:

```
-> lanpower port 1/1/1-16 admin-state enable
```

Note. You cannot use the **lanpower port admin-state** command to initially activate PoE on a port. This syntax is intended only to reactivate power to those that have been disconnected via the **lanpower slot service** command. To initially activate PoE, you must use the **lanpower slot service** command as described above.

Disabling PoE

To disable PoE on a particular port, use the **lanpower port admin-state** command. For example:

```
-> lanpower port 1/1/12 admin-state disable
```

To disable PoE for all PoE-capable ports in a slot, use the **lanpower slot service** command. For example:

```
-> lanpower slot 1/1 service stop
```

Fast PoE

Fast PoE can be used to provide PoE power within a few seconds after powering on the chassis. Prior to this feature PoE power was not provided until the chassis had completed boot-up. With Fast PoE the default state of the PoE subsystem is set to enabled in the FPGA image and the PoE configuration is stored in the controller EEPROM. This allows the chassis to immediately provide PoE power to any connected devices immediately after being powered on without waiting for the chassis to complete the boot-up process.

- Fast PoE requires the proper FPGA/CPLD version, refer to the release notes for additional information.
- Factory default switches that don't have any PoE configuration must have an initial PoE configuration completed.
- The PoE configuration cannot be modified until the switch is up and the PoE software module is completely initialized.
- LLDP-based PoE devices will not function as expected until the switch has completed the boot-up process and the switch is in a state to respond to LLDP requests.

To enable Fast PoE, use the **lanpower slot fpoe** command. For example:

```
-> lanpower slot 1/1 fpoe enable
```

Perpetual PoE

Perpetual PoE allows the switch to provide uninterrupted power to connected power devices (PD) even when the switch is rebooting or reloading, such as on a soft reset.

- Perpetual PoE requires the proper FPGA/CPLD version, refer to the release notes for additional information.
- The power to the PD devices will be interrupted if the PoE controller (MCU) firmware itself is being upgraded.

To enable Perpetual PoE, use the **lanpower slot ppoe** command. For example:

```
-> lanpower slot 1/1 ppoe enable
```

Configuring the Total Power Available to a Port

By default, each port is authorized by the system software to use up to a maximum amount of milliwatts to power any attached device.

This value can be increased or decreased based on the allowed ranges.

Increasing the total power available to an individual port may provide a more demanding powered device with additional power required for operation. Decreasing the total power available to a port helps to preserve inline power and assists in the overall management of the switch's power budget.

To increase or decrease the total power available to an individual port, use the **lanpower power** command.

Note. Since the power allowance is being set for an individual port, chassis/slot/port values must be specified.

Configuring the Total Power Available to a Slot

Like the maximum port power allowance, the system software also provides a maximum slot-wide power allowance. By default, each slot is authorized by the system software to use a number of watts to power all devices connected to its ports depending on which power supply is used.

As with the maximum port power allowance, the user can either increase or decrease this value based on the allowed ranges.

Note. Decreasing the slot-wide power could cause lower priority ports to lose power if the new value is less than the total PoE power currently being consumed.

To increase or decrease the total power available to a slot, use the **lanpower slot maxpower** command. Since you are setting the power allowance for an individual slot, you must specify a chassis/slot value in the command line. For example, the syntax

```
-> lanpower slot 1/1 maxpower 150
```

reduces the power allowance of chassis 1, slot 1 to 150 watts. This value is now the maximum amount of power the slot can use to power all attached devices (until the value is modified by the user).

Note. Changing the maximum power available to a slot or port does not reserve or immediately allocate that power. These settings are only used for configuring a maximum amount of power that may be used, any unused power is still available and remains a part of the overall PoE budget.

Setting Timers and Other User-Defined PoE Power Rules

The **lanpower power-rule** command allows user to set additional rules for PoE power (e.g., setting PoE to turn on or off on specific dates or at specific times). Refer to the *OmniSwitch AOS CLI Command Reference Guide* for more information.

Setting Port Priority Levels

As not all Powered Devices (PDs) connected to the switch have the same priority within a network setting, the OmniSwitch allows the administrator to specify priority levels on a port-by-port basis. Priority levels include low, high, and critical.

The default priority level for a port is low.

- **Low.** This default value is used for port(s) that have low-priority devices attached. In the event of a power management issue, inline power to low-priority is interrupted first (i.e., before critical and high priority).

- **High.** This value is used for port(s) that have important, but not mission-critical, devices attached. If other ports in the chassis have been configured as critical, inline power to high-priority is given second priority.
- **Critical.** This value is used for port(s) that have mission-critical devices attached, and therefore require top (i.e., critical) priority. In the event of a power management issue, inline power to critical is maintained as long as possible.

To change the priority level for a particular port, use the `lanpower priority` command. Since the switch allows you to set priority levels on a port-by-port basis, be sure to specify chassis/slot/port information in the command line. For example, the syntax

```
-> lanpower port 1/1/6 priority critical
```

changes the priority value of port 6 to the highest priority level of critical. Now that the default value has been reconfigured, this port should be reserved for those PDs that are mission critical for network operations.

Setting the Capacitor Detection Method

By default, the capacitor detection method is disabled. To enable it, use the `lanpower capacitor-detection` command. For example:

```
-> lanpower slot 1/1 capacitor-detection enable
```

Note. The capacitive detection method should only be enabled to support legacy IP phones. This feature is not compatible with IEEE specifications. Please contact your Alcatel-Lucent sales engineer or Customer Support representative to find out which Alcatel-Lucent IP phones models need capacitive detection enabled.

Understanding Priority Disconnect

Priority disconnect is used by the system software in determining whether an incoming PD will be granted or denied power when there are too few watts remaining in the PoE power budget for an additional device. For example, if there are only 2 watts available in the current PoE power budget and a user plugs a 3.5W powered device into a PoE port, the system software must determine whether the device will be powered on.

Based on priority disconnect rules, in some cases one or more existing devices may be powered down in order to accommodate the incoming device. In other cases, the incoming device will be denied power.

Priority disconnect rules involve the port priority status of an incoming device (i.e., low, high, and critical), as well as the port's physical port number. Understanding priority disconnect rules is especially helpful in avoiding power budget deficits and the unintentional shutdown of mission-critical devices when PDs are being added in tight power budget conditions.

Reminder. Priority disconnect applies only when there is inadequate power remaining in the power budget for an incoming device.

For information on setting the priority disconnect status, refer to the section below. For information on setting the port priority status (a separate function from priority disconnect), refer to [“Setting Port Priority Levels” on page 3-5](#).

Setting Priority Disconnect Status

By default, priority disconnect is enabled in the switch’s system software. For information on changing the priority disconnect status, refer to the information below.

Disabling Priority Disconnect

When priority disconnect is disabled and there is inadequate power in the budget for an additional device, power will be denied to any incoming PD, regardless of its port priority status (i.e., low, high, and critical) or physical port number. To disable priority disconnect, use the lanpower slot priority-disconnect command. For example:

```
-> lanpower slot 1/1 priority-disconnect disable
```

Enabling Priority Disconnect

To enable priority disconnect, use the lanpower slot priority-disconnect command. For example:

```
-> lanpower slot 1/1 priority-disconnect enable
```

Priority Disconnect is Enabled; Same Priority Level on All Devices

Reminder. Priority disconnect examples are applicable only when there is inadequate power remaining to power an incoming device.

When a PD is being connected to a port with the same priority level as all other in the slot, the physical port number is used to determine whether the incoming PD will be granted or denied power. Due to the support of different PoE standards and PoE hardware on each platform the internal port priority is different for each platform. The following tables should be used to determine PoE priority:

PoE Physical Port Priority

1 (Highest) -> 28 (Lowest)

Priority Disconnect is Enabled; Incoming PD Port has Highest Priority Level

Reminder. Priority disconnect examples are applicable only when there is inadequate power remaining to power an incoming device.

When a PD is being connected to a port with a higher priority level than all other in the slot, the incoming PD will automatically be granted power over the other devices, regardless of its physical port number.

In order to avoid a power budget deficit, another port in the slot is disconnected. In determining which port to power off, the system software first selects the port with the lowest configured priority level. For example, if a critical priority device is being added to a slot in which five existing devices are attached to

high priority and one device is attached to a low priority port, the low priority port is automatically disconnected, regardless of its physical port number.

If all existing devices are attached to with the same lower priority level, the system software disconnects the port with both the lowest priority level. For example, if a critical priority device is being added to a slot in which six existing devices are attached at high priority, the high priority port with the highest physical port number is automatically disconnected.

Priority Disconnect is Enabled; Incoming PD Port has Lowest Priority Level

Reminder. Priority disconnect examples are applicable only when there is inadequate power remaining to power an incoming device.

When a PD is being connected to a port with a lower priority level than all other in the slot, the incoming PD will be denied power, regardless of its physical port number. Devices connected to other higher-priority will continue operating without interruption.

Priority Disconnect is Disabled

Reminder. Priority disconnect examples are applicable only when there is inadequate power remaining to power an incoming device.

When priority disconnect is disabled, power will be denied to any incoming PD, regardless of its port priority status (i.e., low, high, and critical) or physical port number.

Understanding Guard Band

Guard Band functionality is implemented when the switch has to provide power to a newly connected PD. This functionality is more relevant on switches that have a lower amount of total PoE power available for the switch but a higher default maximum PoE power available to some ports.

- If the amount of power remaining is less than the port's configured maximum PoE power value or the PD's class maximum power then the switch will not power up the PD.
- This applies even if the newly connected PD actually requires less than the maximum power available for the port.

For example, assume the following:

- There is 50W of PoE power remaining on the switch.
- A newly connected PD only requires 4W of power.
- The port's maximum PoE power value is 75W.

In this example the newly connected PD will not be powered on since the port's maximum PoE power value is greater than the PoE power remaining on the switch.

To allow the PD to be powered, the port's maximum PoE value can be configured to be less than the power remaining by issuing the following command to set the port's maximum PoE power to 10W:

```
-> lanpower power 1/1/1 power 10000
```

Using the previous example:

- There is 50W of PoE power remaining on the switch.
- A newly connected PD only requires 4W of power.
- The port's maximum PoE power value is now 10W.

The newly connected PD will be powered on since the port's maximum PoE power value is now less than the PoE power remaining on the switch.

The examples assume the new PD has the same or lower priority as the existing PDs, otherwise priority disconnect will override.

The Guard Band functionality does not apply to PDs that are already powered up. However, priority disconnect will apply if there's not enough power to power all PDs in the case of the power budget being reduced, such as the removal of a power supply.

Please refer to the [“Understanding Priority Disconnect”](#) on page 3-6 for additional details.

A Regulatory Compliance and Safety Information

This appendix provides information on regulatory agency compliance and safety for the OmniSwitch.

Declaration of Conformity: CE Mark

This equipment is in compliance with the essential requirements and other provisions of Directive 2014/30/EU (EMC), 2014/35/EU (LVD), 2011/65/EU (RoHS-Directive), 91/263/EEC (Telecom Terminal Equipment, if applicable), 2014/53/EU (R&TTE, if applicable).

Français: Cet équipement est conforme aux exigences essentielles et aux autres provisions de la Directive 2014/30/EU (EMC), 2014/35/EU (LVD), 2011/65/EU (RoHS-Directive), 91/263/CEE (équipements terminaux de télécommunications, le cas échéant), 2014/53/EU (R&TTE, le cas échéant).

Deutsch: Diese Ausrüstung erfüllt die wesentlichen Anforderungen und sonstigen Bestimmungen der Richtlinien 2014/30/EU (EMV-Richtlinie), 2014/35/EU (Niederspannungsrichtlinie), 2011/65/EU (RoHS-Directive), 91/263/EEC (Telekommunikationsendeinrichtungen, falls zutreffend), 2014/53/EU (Funkanlagen und Telekommunikationsendeinrichtungen, falls zutreffend).

Español: Este equipo cumple los requisitos esenciales y otras disposiciones de las directivas 2014/30/EU (EMC), 2014/35/EU (LVD), 2011/65/EU (RoHS-Directive), 91/263/CEE (equipos terminales de telecomunicación, si procede), 2014/53/EU (R&TTE, si procede).

Compliance and Certifications

Safety Standards

- US UL 60950-1
- US UL 62368-1
- IEC 60950-1 Health and Safety
- IEC 62368-1 Audio/Video, Information Technology: Safety requirement
- CAN/CSA-C22.2 No. 60950-1
- CAN/CSA-C22.2 No. 62638-1
- EN 62368-1
- NOM-019 SCFI, Mexico

- AS/NZ TS-001 and 60950:2000, Australia
- UL-AR, Argentina
- UL-GS Mark, Germany
- CU, EAC, Russia
- EN 60825-1 Laser
- EN 60825-2 Laser
- CDRH Laser
- IEC 60950-1/EN 60950 with all country deviations
- IEC 62368-1/EN 62368-1 with all country deviations
- CCC, China*
- ANATEL, Brazil (Contact for availability)
- BSMI, Taiwan (Contact for availability)
- KCC, Korea (Contact for availability)
- TEC, India (Contact for availability)
- Morocco (Contact for availability)

EMI/EMC Standards

- FCC Part 15:2012, Subpart B, Class A
- ICES-003:2012 Issue 5, Class A
- ANSI C63.4-2009
- FCC CRF Title 47 Subpart B (Class A)
- VCCI (Class A)
- AS/NZS 3548 (Class A)
- CE marking for European countries (Class A)
- EN 55032 (EMI & EMC)
- EN 61000-3-2
- EN 61000-3-3
- EN 55024 (Immunity)/EN 55035 (Immunity)
- EN 61000-4-2
- EN 61000-4-3
- EN 61000-4-4
- EN 61000-4-5

- EN 61000-4-6
- EN 61000-4-8
- EN 61000-4-11
- IEEE 802.3: Hi-Pot Test
(2250 V DC on all Ethernet ports)

Environmental Standards

- ETS 300 019 Storage Class 1.1
- ETS 300 019 Transportation Class 2.3
ETS 300 019 Stationary Use Class 3.1

Industrial Compliance Requirements

Industrial Compliance Requirements

Safety	ISA 12.12.01 (UL 1604), CSA22.2/213, UL 508, EN50021
Operational Temperature	IEC 60870-2-2 (operational temperature) IEC 60068-2-1 (temperature type test - cold) IEC 60068-2-2 (temperature type test - hot)
Storage Temperature	IEC 60721-3-1: Class 1K5 (storage temperature)
Humidity	IEC 60068-2-30: 5% to 95% non-condensing humidity
Mechanical Shock	IEC 60255-21-2 (mechanical shock)
Vibration	IEC 60255-21-1 (vibration)
Drop Test	IEC 60870-2-2 Free Fall
Altitude Test	IEC 60870-2-2, GR-63-CORE, 4.1.3, 4.5
IPX	IPXX, IEC60529
EMI/EMC	IEC 61000-6-2 (Immunity) EN 61000-6-4 (Emmission) EN 55032, EN 61000-3-3 EN 61000-3-2 EN 55024 IEC 61850-3 EN 61000-4-2 to EN 61000-4-6, EN 61000-4-8 EN 61131-2 IEEE 1613, Section 5.2, 5.3, 6.3.1, 6.3.2, 7, 8

DNV	DNV 2.4
Railway	EN 50121-4 IEC 62236-4 EN 61000-6-4
NEMA	NEMA TS-2

China RoHS: Hazardous Substance Table

部件名称 Part Name	有毒和危险品 Toxic and Hazardous Substances or Elements					
	铅 (Pb)	水银 (Hg)	镉 (Cd)	六价铬 (Cr(VI))	多溴化苯 (PBB)	多溴化二苯醚 (PBDE)
电路模块 (Circuit Boards)	X	○	○	○	○	○
电缆及电缆组件 (Cables & Cable Accessories)	X	○	○	○	○	○
金属部件 (Metal Parts)	X	○	○	○	○	○
塑料和聚合物部件 (Plastic and Polymeric parts)	○	○	○	○	○	○
可插拔模块 (Pluggable modules)	X	○	○	○	○	○
电池 (Batteries)	○	○	○	○	○	○

本表格依据 SJ/T 11364 的规定编制

○ = 表示该有害物质在该部件所有均质材料中的含量均在 GB/T 26572 规定的限量要求以下 (indicates that the content of the toxic and hazardous substance in all the Homogeneous Materials of the part is below the concentration limit requirement as described in GB/T 26572).

X = 表示该有害物质至少在该部件的某一均质材料中的含量超出 GB/T 26572 规定的限量要求 (indicates that the content of the toxic and hazardous substance in at least one Homogeneous Material of the part exceeds the concentration limit requirement as described in GB/T 26572).

Taiwan RoHS: Hazardous Substance Table

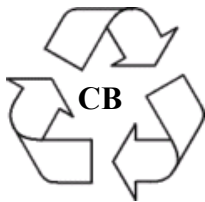
设备名称：交換機和路由器產品						
单位	受限物质及其化学符号					
	铅 (Pb)	汞 (Hg)	镉 (Cd)	六价铬 (Cr+6)	多溴联苯 (PBB)	多溴二苯醚 (PBDE)
電路板 (Circuit Boards)	-	○	○	○	○	○
電纜及電纜配件 (Cables & Cable Accessories)	-	○	○	○	○	○
金屬部件 (Metal Parts)	-	○	○	○	○	○
塑料和聚合物部件 (Plastic and Polymeric Parts)	○	○	○	○	○	○
可插拔模塊 (Pluggable modules)	-	○	○	○	○	○
電池 (Batteries)	○	○	○	○	○	○

注 1: "○" 表示该项受限物质的含量百分比未超过百分比含量基准值。
注 2: "-" 表示该项受限物质为排除项目。

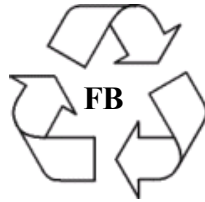
California Proposition 65 Warning

WARNING: This product can expose you to chemicals including Pb and Pb compounds, which is known to the State of California to cause cancer and birth defects or other reproductive harm. For more information go to www.P65Warnings.ca.gov.

Products are packaged using one or more of the following packaging materials:



Corrugated Cardboard



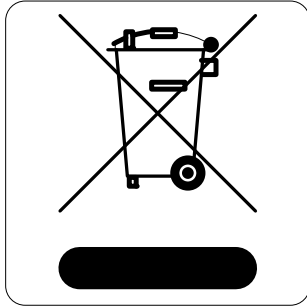
Corrugated Fiberboard



Low-Density Polyethylene

Waste Electrical and Electronic Equipment (WEEE) Statement

The product at end of life is subject to separate collection and treatment in the EU Member States, Norway and Switzerland, and is therefore marked with the symbol:



Treatment applied at end of life of the product in these countries shall comply with the applicable national laws implementing directive 2002/96EC on Waste Electrical and Electronic Equipment (WEEE).

FCC Class A, Part 15

This equipment has been tested and found to comply with the limits for Class A digital device pursuant to Part 15 of the FCC Rules. These limits are designed to provide reasonable protection against harmful interference when the equipment is operated in a commercial environment. This equipment generates, uses, and can radiate radio frequency energy and, if not installed and used in accordance with the instructions in this guide, may cause interference to radio communications. Operation of this equipment in a residential area is likely to cause interference, in which case the user will be required to correct the interference at his own expense.

The user is cautioned that changes and modifications made to the equipment without approval of the manufacturer could void the user's authority to operate this equipment. It is suggested that the user use only shielded and grounded cables to ensure compliance with FCC Rules.

If this equipment does cause interference to radio or television reception, the user is encouraged to try to correct the interference by one or more of the following measures:

- Reorient the receiving antenna.
- Relocate the equipment with respect to the receiver.
- Move the equipment away from the receiver.
- Plug the equipment into a different outlet so that equipment and receiver are on different branch circuits.

If necessary, the user should consult the dealer or an experienced radio/television technician for additional suggestions.

Canada Class A Statement

This equipment does not exceed Class A limits per radio noise emissions for digital apparatus, set out in the Radio Interference Regulation of the Canadian Department of Communications.

Avis de conformité aux normes du ministère des Communications du

Canada

Cet équipement ne dépasse pas les limites de Classe A d'émission de bruits radioélectriques pour les appareils numériques, telles que prescrites par le Règlement sur le brouillage radioélectrique établi par le ministère des Communications du Canada.

JATE

This equipment meets the requirements of the Japan Approvals Institute of Telecommunications Equipment (JATE).

CISPR22 Class A Warning

This is a Class A product. In a domestic environment, this product may cause radio interference. Under such circumstances, the user may be requested to take appropriate countermeasures.

Korea Emissions Statement

A 급 기기 (업무용 방송통신 기자재)
이 기기는 업무용 (A 급) 전자파적합기기로서 판매자 또는 사용자는 이 점을 주의하시기 바라며, 가정외의 지역에서 사용하는 것을 목적으로 합니다.

Class A Equipment (Business equipment)
This equipment is registered for Electromagnetic Conformity Registration as business equipment (A), not home equipment. Sellers or users are required to take caution in this regard.

VCCI

This is a Class A product based on the standard of the Voluntary Control Council for Interference by Information Technology Equipment (VCCI). If this equipment is used in a domestic environment, radio disturbance may arise. When such trouble occurs, the user may be required to take corrective actions.

Class A Warning for Taiwan and Other Chinese Markets

This is a Class A Information Product. When used in a residential environment, it may cause radio frequency interference. Under such circumstances, the user may be requested to take appropriate countermeasure.

Translated Safety Warnings

Chassis Lifting Warning

Two people are required when lifting the chassis. Due to its weight, lifting the chassis unassisted can cause personal injury. Also be sure to bend your knees and keep your back straight when assisting with the lifting of the chassis.

Français: Le châssis doit être soulevé par deux personnes au minimum. Pour éviter tout risque d'accident, maintenez le dos droit et poussez sur vos jambes. Ne soulevez pas l'unité avec votre dos.

Deutsch: Sicherheitshinweise Hinweise zur Anhebung des Chassis Zum Anheben des Chassis werden zwei Personen benötigt. Aufgrund des Gewichts kann das Anheben ohne Unterstützung zu Personenschäden führen. Heben Sie das Chassis aus den Knien und halten Sie den Rücken gerade wenn Sie beim Anheben des Chassis assistieren.

Español: Se requieren dos personas para elevar el chasis. Para evitar lesiones, mantenga su espalda en posición recta y levante con sus piernas, no con su espalda.

Electrical Storm Warning

To avoid a shock hazard, do not connect or disconnect any cables or perform installation, maintenance, or reconfiguration of this product during an electrical storm.

Français: Ne pas travailler sur le système ni brancher ou débrancher les câbles pendant un orage.

Deutsch: Hinweise bei Unwetter Um elektrische Schläge zu vermeiden dürfen während eines Gewitters and diesem Gerät keine Kabel angeschlossen oder gelöst werden, sowie keinerlei Installationen, Wartungen oder Konfigurationen vorgenommen werden.

Español: Para evitar peligro de descargas, no conecte o desconecte ningún cable, ni realice ninguna instalación, mantenimiento o reconfiguración de este producto durante una tormenta eléctrica.

Installation Warning

Only personnel knowledgeable in basic electrical and mechanical procedures should install or maintain this equipment.

Français: Toute installation ou remplacement de l'appareil doit être réalisée par du personnel qualifié et compétent.

Deutsch: Installationshinweise Dieses Gerät soll nur von Personal installiert oder gewartet werden, welches in elektrischen und mechanischen Grundlagen ausgebildet ist.

Español: Estos equipos deben ser instalados y atendidos exclusivamente por personal adecuadamente formado y capacitado en técnicas eléctricas y mecánicas.

Invisible Laser Radiation Warning

Lasers emit invisible radiation from the aperture opening when no fiber-optic cable is connected. When removing cables do not stare into the open apertures. In addition, install protective aperture covers to fiber with no cable connected.

Français: Des radiations invisibles à l'oeil nu pouvant traverser l'ouverture du port lorsque aucun câble en fibre optique n'y est connecté, il est recommandé de ne pas regarder fixement l'intérieur de ces ouvertures. Installez les caches connecteurs prévus à cet effet.

Deutsch: Hinweise zur unsichtbaren Laserstrahlung Die Laser strahlen an der Blendenöffnung unsichtbares Licht ab, wenn keine Glasfaserkabel angeschlossen sind. Blicken Sie nicht in die Öffnungen und installieren Sie unverzüglich die Abdeckungen über den Glasfaseranschlüssen.

Español: Debido a que la apertura del puerto puede emitir radiación invisible cuando no hay un cable de fibra conectado, procurar no mirar directamente a las aperturas para no exponerse a la radiación.

Power Disconnection Warning

Your switch may be equipped with multiple power supplies (redundant power supply configurations). To reduce the risk of electrical shock, be sure to disconnect all power connections before servicing or moving the unit.

Français: Il se peut que cette unité soit équipée de plusieurs raccordements d'alimentation. Pour supprimer tout courant électrique de l'unité, tous les cordons d'alimentation doivent être débranchés.

Deutsch: Hinweise zur Spannungsfreischaltung Ihr Gerät ist mit mehreren Netzteilen ausgerüstet. Um die Gefahr des elektrischen Schlages zu verringern, stellen sie sicher, daß alle Netzverbindungen getrennt sind bevor das Gerät gewartet oder bewegt wird.

Español: Antes de empezar a trabajar con un sistema, asegúrese que el interruptor está cerrado y el cable eléctrico desconectado.

Proper Earthing Requirement Warning

To avoid shock hazard:

- The power cord must be connected to a properly wired and earth receptacle.
- Any equipment to which this product will attached must also be connected to properly wired receptacles.
- Use 22AWG solid copper conductor for ground leads connecting the frame to ground and DC return.
- Cleaning and dressing of grounding points during installation is strongly recommended. Also, do not forget the antioxidant.
- To ground the equipment properly, connect a Panduit Corporation UL listed Lug, P/N: LCD8-10AL to the two threaded holes located on the rear using 8AWG copper conductors. Use Panduit Corporation, P/N: CT-940CH for crimping. Torque to between 30-60 inch pounds.

Français: Pour éviter tout risque de choc électrique:

- Ne jamais rendre inopérant le conducteur de masse ni utiliser l'équipement sans un conducteur de masse adéquatement installé.
- En cas de doute sur la mise à la masse appropriée disponible, s'adresser à l'organisme responsable de la sécurité électrique ou à un électricien.

Deutsch: Hinweise zur geforderten Erdung des Gerätes Aus Sicherheitsgründen:

- Darf das Netzkabel nur an eine Schutzkontaktsteckdose angeschlossen werden.
- Dürfen für den Anschluß anderer Geräte, welche mit diesem Gerät verbunden sind, auch nur Schutzkontaktsteckdosen verwendet werden.

Español: Para evitar peligro de descargas:

- Para evitar peligro de descargas asegúrese de que el cable de alimentación está conectado a una toma de alimentación adecuadamente cableada y con toma de tierra.
- Cualquier otro equipo a cual se conecte este producto también debe estar conectado a tomas de alimentación adecuadamente cableadas.

DC Power Supply Connection Warning

- For EMC/EMI, each DC/DC power supply requires that the ground wire is connected from each DC/DC power supply to Earth Ground.
- **Français:** Pour EMC/EMI, pour chaque alimentation DC/DC, il est impératif que le fil de terre soit branché à la prise de terre.
- **Deutsch:** Zur Erfüllung der EMV-/EMI-Anforderungen muss das Erdungskabel jedes DC/DC-Netz-teils an eine Erde angeschlossen werden.
- **Español:** Para EMC/EMI, cada fuente de alimentación de CC/CC requiere que el cable de tierra esté conectado desde cada fuente de alimentación de CC/CC a la conexión a tierra.

Read Important Safety Information Warning

This guide contains important safety information users must be aware of when working with hardware components in this system. Read this guide in its entirety before installing, using, or servicing this equipment.

Français: Avant de brancher le système sur la source d'alimentation, consultez les directives d'installation disponibles dans ceci guide.

Deutsch: Bitte lesen - Sicherheitshinweise Dieses guide enthält wichtige Sicherheitsinformationen, über die sie sich beim Arbeiten mit den Hardwareeinheiten bewußt sein sollten. Sie sollten diese Hinweise lesen, bevor sie installieren, reparieren oder die Anlage verwenden.

Español: Esto guide contiene información importante de seguridad sobre la cual usted debe estar enterado al trabajar con los componentes de dotación física en este sistema. Usted debe leer esta guía antes de instalar, usar o mantener este equipo.

Restricted Access Location Warning

This equipment should be installed in a location that restricts access. A restricted access location is one where access is secure and limited to service personnel who have a special key, or other means of security.

Français: Le matériel doit être installé dans un local avec accès limité ou seules les personnes habilitées peuvent entrer.

Deutsch: Hinweis zu Umgebungen mit beschränktem Zutritt Die Anlage sollte an einem Standort mit beschränktem Zutritt installiert sein. Ein Standort mit beschränktem Zutritt stellt sicher, daß dort nur Servicepersonal mit Hilfe eines Schlüssels oder eines anderen Sicherheitssystems Zugang hat.

Español: Este equipo se debe instalar en un sitio con acceso restringido. Un sitio con el acceso restringido es uno seguro y con acceso limitado al personal de servicio que tiene una clave especial u otros medios de seguridad.

Wrist Strap Warning

Because electrostatic discharge (ESD) can damage switch components, you must ground yourself properly before continuing with the hardware installation. For this purpose, Alcatel-Lucent Enterprise provides a grounding wrist strap and a grounding lug located near the top-right of the chassis. For the grounding wrist strap to be effective in eliminating ESD, the power supplies must be installed in the chassis and plugged into grounded AC outlets.

Français: L'électricité statique (ESD) peut endommager les composants du commutateur. Pour cette raison Alcatel-Lucent Enterprise joint à l'envoi du châssis un bracelet antistatique à brancher sur la prise mise à la

terre située en bas à droite du commutateur. Vous devrez mettre ce bracelet avant toute intervention hardware.

Deutsch: Hinweise zur ESD (Elektrostatischen Aufladung) Weil elektrostatische Aufladung (ESD) Teile der Anlage beschädigen könnten, müssen sie sich selbst erden, bevor sie mit der Hardware Installation beginnen. Zu diesem Zweck stellt Alcatel-Lucent Enterprise ein Erdungsarmband und eine Erdungsöse an der oberen rechten Seite des Chassis zur Verfügung. Um eine sichere Erdungsfunktion des Erdungsarmbandes sicherzustellen, müssen die Netzteile installiert und mit dem Schutzleiter des Versorgungsstromkreises verbunden sein.

Español: La descarga electrostática (ESD) puede dañar componentes electrónicos. Usted debe asegurarse que está en contacto con tierra antes de hacer la instalación del equipo. Con este fin, Alcatel-Lucent Enterprise proporciona una pulsera de muñeca para conectar al chasis en la toma de tierra situada en la parte superior derecha del chasis. Para que la correa de muñeca sea eficaz en la eliminación de ESD, las fuentes de alimentación deben estar instaladas en el chasis y conectadas a enchufes CA con tierra adecuada.

Instrucciones de seguridad en español

Advertencia sobre el levantamiento del chasis

Se requieren dos personas para levantar el chasis. Debido a su peso, la elevación del chasis sin ayuda puede causar daños corporales. También es seguro doblar sus rodillas y guardar su espalda derecho al ayudar a levantar el chasis.

Advertencia de las tapaderas en blanco

Porque regulan la circulación de aire y ayudan a proteger componentes internos del chasis, las tapaderas en blanco deben seguir instaladas en las ranuras vacías del módulo y la fuente de alimentación siempre.

Advertencia en caso de tormenta eléctrica

Para evitar peligro de descargas, no conecte o desconecte ningún cable, ni realice ninguna instalación, mantenimiento o reconfiguración de este producto durante una tormenta eléctrica.

Advertencia de instalación

Solamente el personal bien informado en procedimientos eléctricos y mecánicos básicos debe instalar o mantener este equipo.

Advertencia de radiación láser invisible

Los lasers emiten radiación invisible de la apertura abierta cuando no se conecta ningún cable de fibra óptica. Al quitar los cables no mire fijamente en las aberturas abiertas. Además, instale las cubiertas protectoras de la apertura a las salidas de la fibra sin el cable conectado.

Advertencia de la batería de litio

Hay un peligro de la explosión si la batería del litio en su chasis se substituye incorrectamente. Substituya la batería solamente por el mismo o el equivalente de tipo de batería recomendado por el fabricante. Deseche las baterías usadas según las instrucciones del fabricante. Las instrucciones del fabricante son como sigue: Devuelva el módulo con la batería del litio a Alcatel-Lucent. La batería del litio será substituida en la fábrica de Alcatel-Lucent.

Advertencia sobre la tensión de operación

Para reducir el riesgo del choque eléctrico, mantenga sus manos y dedos fuera de la fuente de alimentación y no toque la placa madre mientras que el interruptor está funcionando.

Advertencia sobre la desconexión de la fuente

Su interruptor esta equipado por fuentes de alimentación múltiples. Para reducir el riesgo de choque eléctrico, asegúrese desconectar todas las conexiones de alimentación antes de mantener o de mover la unidad.

Advertencia sobre una apropiada conexión a tierra

Para evitar peligro de descargas:

El cable de alimentación debe estar conectado a una toma de alimentación adecuadamente cableada y con toma de tierra.

Cualquier equipo al cual se conecte este producto debe estar también conectado a tomas de alimentación adecuadamente cableadas.

Leer “información importante de seguridad”

La Guía de “Comenzando a Usar” que acompaña este equipo contiene información importante de seguridad sobre la cual usted debe saber al trabajar con los componentes de dotación física en este sistema. Usted debe leer esta guía antes de instalar, de usar, o de mantener este equipo.

Advertencia de acceso restringido

Este equipo se debe instalar en una ubicación que restrinja el acceso. Una ubicación con acceso restringido es una donde está seguro y limitado el acceso al personal de servicio que tiene un clave especial, u otros medios de la seguridad.

Advertencia de pulsera antiestática

Debido a que la descarga electrostática (ESD) puede dañar componentes del interruptor, usted debe conectarse a tierra correctamente antes de continuar con la instalación del equipo. Para este propósito, Alcatel-Lucent proporciona una pulsera antiestática y un terminal que pone a tierra situados cerca de la parte superior derecha del chasis. Para que la pulsera antiestática sea eficaz en la eliminación de ESD, las fuentes de alimentación se deben instalar en el chasis y enchufar en las salidas de CA con descarga a tierra.

Clase de seguridad

Cumple con 21CFR 1040.10 y 1040.11 ó sus equivalentes.